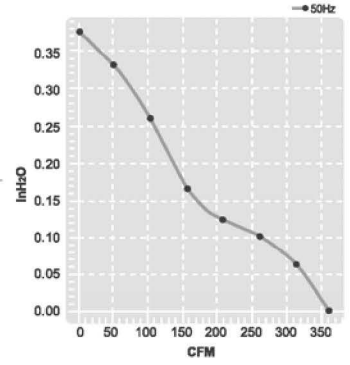
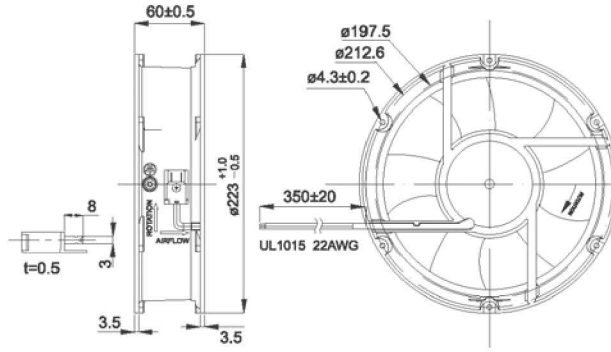


MODEL: EA2260 SERIES

Size : $\varnothing 223 \times 60$
Unit : mm



Thermal Protection

Terminal or Lead Wire Type

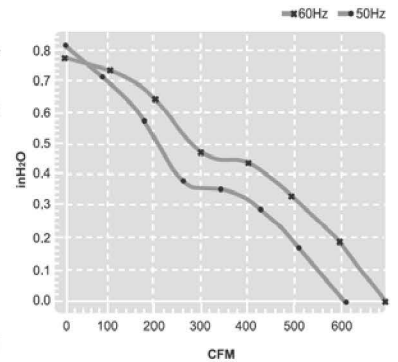
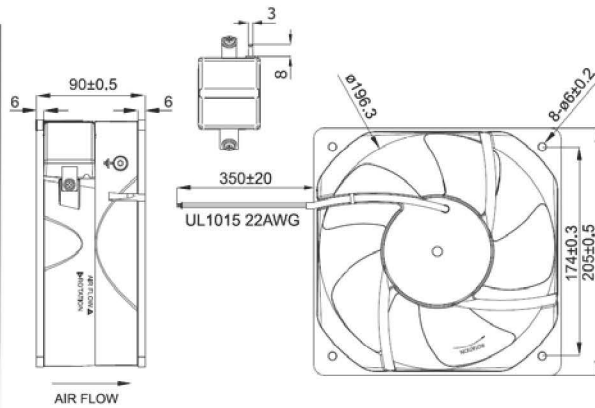


Model Spec	Rated Voltage V	Frequency Hz	Input Power W	Rated Current A	Locked Current A	Speed RPM	Maximum Air Flow m ³ /min	Maximum Air Flow CFM	Maximum Pressure mmH ₂ O	Maximum Pressure InchH ₂ O	Noise dB	Weight KG
EA2260-11HB	115V	50										
		60										
EA2260-23HB	230V	50	40	0.27	0.43	2700	10.5	370	9.7	0.38	57	1.5
		60										

We reserve the right to change data without notice.

MODEL: EA2090C SERIES

Size : 205 x 205 x 90
Unit : mm



Thermal Protection

Terminal or Lead Wire Type



Model Spec	Rated Voltage V	Frequency Hz	Input Power W	Rated Current A	Locked Current A	Speed RPM	Maximum Air Flow m ³ /min	Maximum Air Flow CFM	Maximum Pressure mmH ₂ O	Maximum Pressure InchH ₂ O	Noise dB	Weight KG
EA2090C-11HB	115V	50	70	0.62	1.22	2,800	17.0	600	20.3	0.80	67	2.4
		60	98	0.90	1.22	3,200	19.3	680	19.8	0.77	71	
EA2090C-23HB	230V	50	70	0.32	0.60	2,800	17.0	600	20.3	0.80	67	2.4
		60	98	0.45	0.61	3,200	19.3	680	19.8	0.77	71	

We reserve the right to change data without notice.