

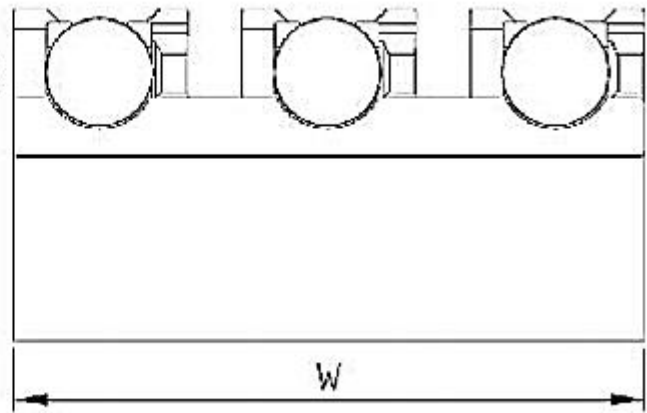
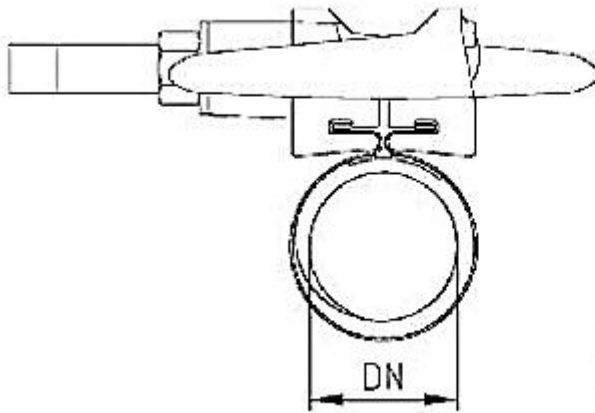
DUCTILE IRON BAND REPAIR CLAMP ZR (Page 2-1)



Single Band Ductile Iron
Band Repair Clamp ZR-1



Double Band Ductile Iron
Band Repair Clamp ZR-2



Products Features:

Be used on repairing different kinds of pipelines like Cast Iron, Ductile Iron, Steel , Asbestos Cement, Copper, Aluminum, PVC, HDPE, Fiberglass and other pipe types. It can provide a quick and economic way in repairing longitudinal, holes and breaks.

Material List:

Component/Material	M1	M2
Skin	304/304L	316/316L
Bridge Plate	304/304L	316/316L
Junction Plate	304/304L	316/316L
Lugs	304/304L	316/316L
Locking Plate	304/304L	316/316L
Bolts& Nuts	304/304L	316/316L
EPDM (Ethylene Propylene Diene Monomer) Sealing Rubber	T:-20℃-+120℃	Medium: Available for water, waste water, air, solid and chemicals
NBR (Nitrile-Butadiene rubber) Sealing Rubber	T:-20℃-+80℃	Medium: Available for water, gas, oil, fuel oil and other hydrocarbon
SBR (styrene butadiene rubber) sealing Rubber	T:-30℃-+100℃	Medium: Available for water, gas, oil, fuel oil and other hydrocarbon

DUCTILE IRON BAND REPAIR CLAMP ZR (Page 2-2)

Technical Parameters:

O.D. Range(mm)	Working Pressure (bar)	O.D. Range(mm)	Working Pressure (bar)	O.D. Range(mm)	Working Pressure (bar)	O.D. Range(mm)	Working Pressure (bar)	Length (mm)
ZR-1	PN	ZR-2	PN	ZR-3	PN	ZR-4	PN	W
59-67	16							150-600
65-73	16							150-600
69-76	16							150-600
75-83	16							150-600
86-94	16	88-108	16					150-600
108-118	16	108-128	16					150-2000
113-121	16	113-133	16					150-2000
121-131	16	120-141	16					150-2000
126-136	16	168-188	16					150-2000
132-142	16	174-194	16					150-2000
145-155	16	219-239	16					150-2000
151-161	16	228-249	16					150-2000
159-170	16	238-258	16					150-2000
166-177	16	258-278	16					150-2000
170-180	16	273-293	16					150-2000
174-184	16	282-302	10					150-2000
179-189	16	295-315	10					150-2000
189-199	16	324-344	10					150-2000
218-228	16	335-356	10					150-2000
222-233	16	347-367	10					150-2000
229-239	16	357-376	10					150-2000
236-246	16	365-384	10					150-2000
248-258	16	383-402	10					150-2000
250-260	10	404-423	10					150-2000
252-263	10	421-440	10					150-2000
261-271	10	436-455	10					150-2000
271-281	10	453-472	10					150-2000
280-291	10	469-488	10					150-2000
288-298	10	488-507	10					150-2000
298-309	10	505-525	10					150-2000
300-310	10	526-545	8					150-2000
304-314	10	547-566	8					150-2000
321-331	10	562-581	8	630-660	8			150-2000
333-343	10	582-601	8	670-700	8			150-2000
340-351	10	630-650	8	720-750	8			150-2000
348-358	10	670-690	8	770-800	6			150-2000
356-366	10	720-740	8	820-850	6			150-2000
				870-900	6			150-2000
				920-950	6	920-960	6	150-2000
						1020-1060	6	150-2000
						1070-1110	6	150-2000
						1120-1160	6	150-2000
						1220-1260	6	150-2000