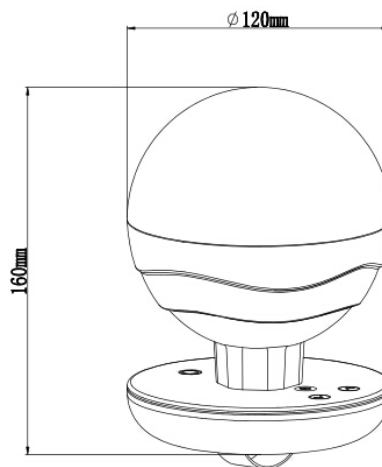




Multi-functional LED Portable Lamp (S102)



Technical Parameters

Model	S102
Power	2W
Light Source	LED SMD2835 10Pcs
CCT	6500K
Dimming Mode	Stepless Dimming Control
Battery Capacity	2200mAh
Charging Time	5h
Working Time	5h(Brightest level);100h low light level
Adaptor Specification	Input:AC100-240V; Output:DC5V, 1A
Lamp Color	White
Materials	ABS+PC
Warranty	1 Year
Product Size	Φ120*H160mm

Main features:

- ★ Super-bright
- ★ Dimming Control
- ★ Long standby time: 5-100Hrs
- ★ Retractable belt for carrying
- ★ Drop-proof & Impact resistant

Factory address: 5/F, 5th Building, Dong Long Xing High-Tech Park, Dalang Sub-district, Longhua New District, Shenzhen, 518109, China.

Tel: +86-755-89584196

Contact: Toby Ding

Email: tobbey@flashinelighting.com

Fax: +86-755-89584197

Mob: +86-135 3818 3534

Web: www.flashinelighting.com



Shenzhen Flashine Lighting Co., Ltd.

Application:

Can be used as LED night light, LED emergency light, LED camping light, LED portable light, LED table light, LED reading light, LED decoration light, and LED flash lighting.

Widely used in bedrooms, living rooms, study rooms, garden, offices, hotels, restaurants, campsites, night fishing places, and frequent power failure places.

Packing details:

Packed by neutral color box

Net weight: 0.42Kg/Pcs

Box size: L122*W122*H170mm

Quantity: 20Pcs/Carton

Gross Weight: 9.5Kg/Carton

CTN Size: L630* W350* H275mm



Factory address: 5/F, 5th Building, Dong Long Xing High-Tech Park, Dalang Sub-district, Longhua New District, Shenzhen, 518109, China.

Tel: +86-755-89584196

Contact: Toby Ding

Email: tobby@flashinelighting.com

Fax: +86-755-89584197

Mob: +86-135 3818 3534

Web: www.flashinelighting.com