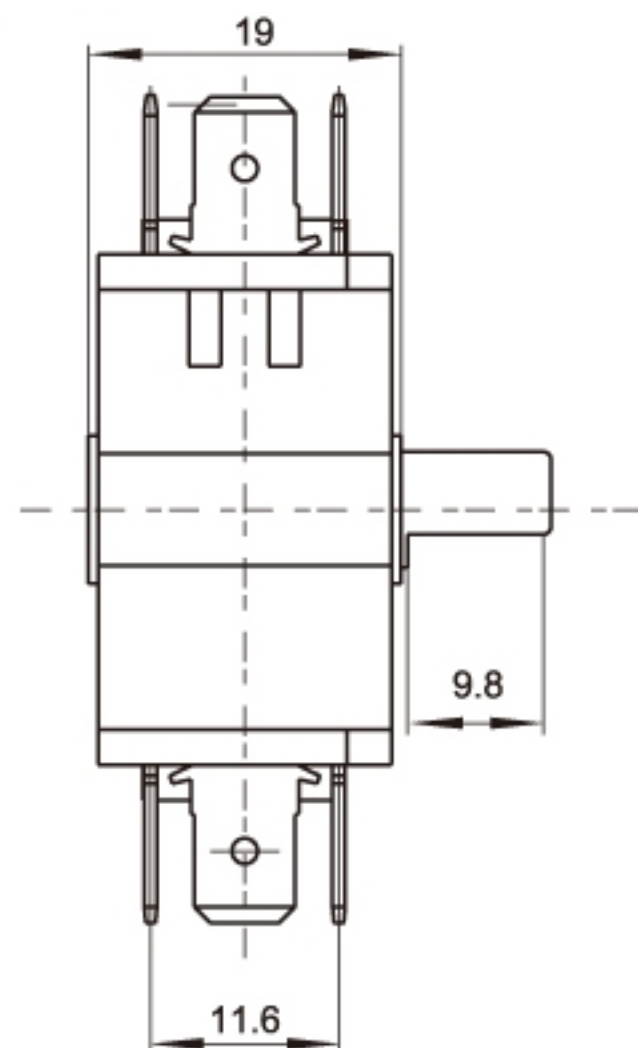
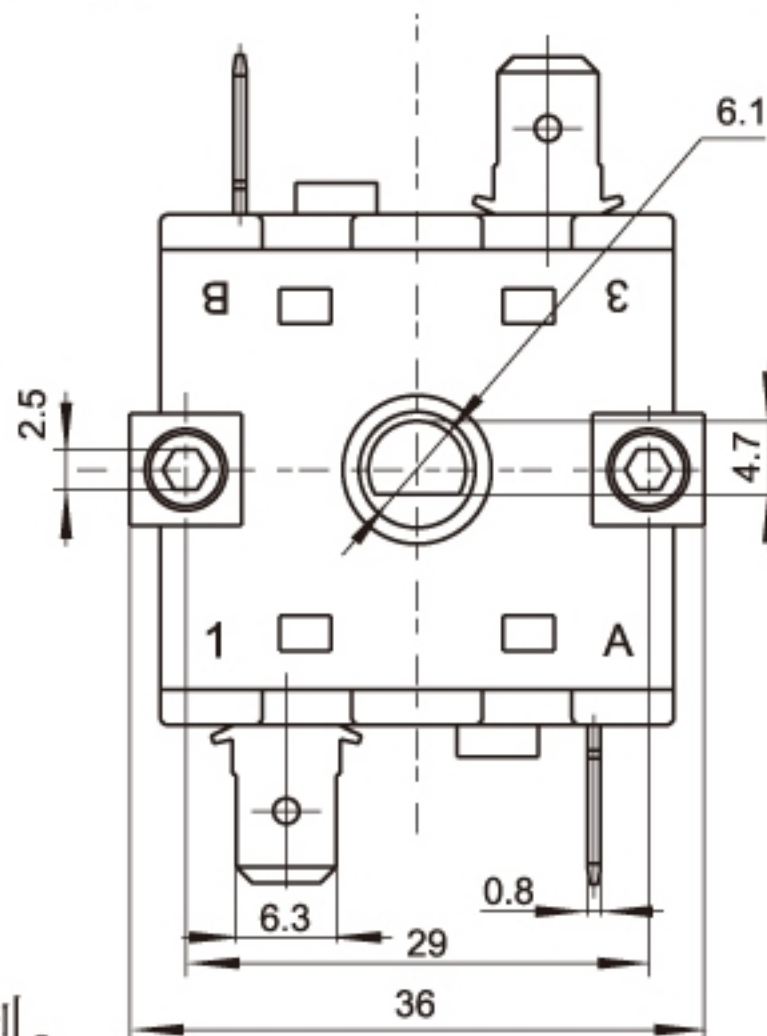


KFZ-02

额定电流、电压
 16(4)A 250VAC T125
 接触电阻: $\leq 50\text{m}\Omega$
 绝缘电阻: $\geq 100\text{M}\Omega$
 介电强度: $\geq 1500\text{VAC}/5\text{S}$
 电气寿命: ≥ 50000 次

Rating:
 16(4)A 250VAC T125 UL/TUV/CQC
 Contact resistance: $\leq 50\text{m}\Omega$
 Insulation resistance: $\geq 100\text{M}\Omega$
 Dielectric intensity: $\geq 1500\text{VAC}/5\text{S}$
 Life: ≥ 50000 Cycles



Customize Angle of Start , Angle of rotation, Function

※起始角度、旋转角度、功能及转轴尺寸可按客户订制。