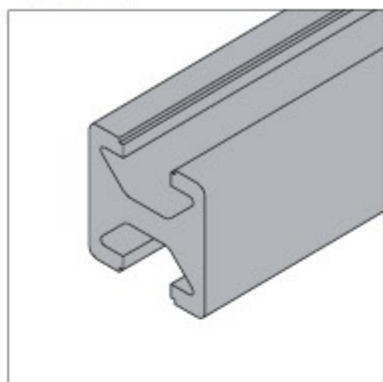
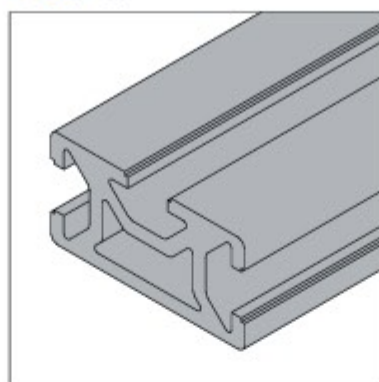


| | | |
|-------------------|------------------|--------------|
| M material | S surface | Code |
| 6005-T5 | oxygenated | PGS15 |

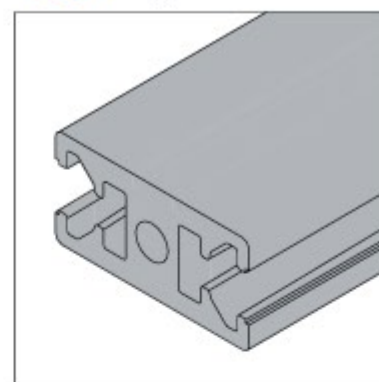
1515 2groove



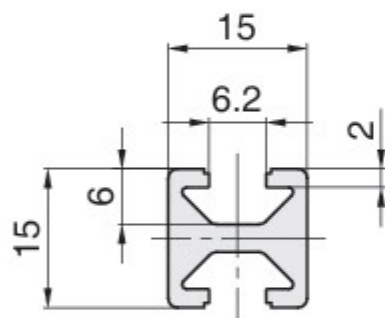
1530 3groove



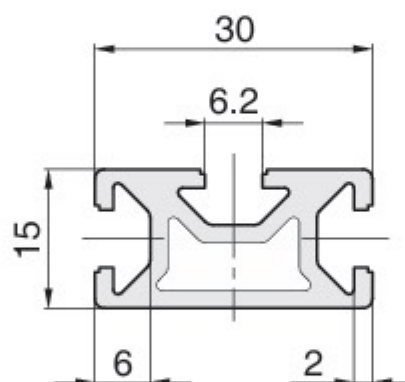
1530B 2groove



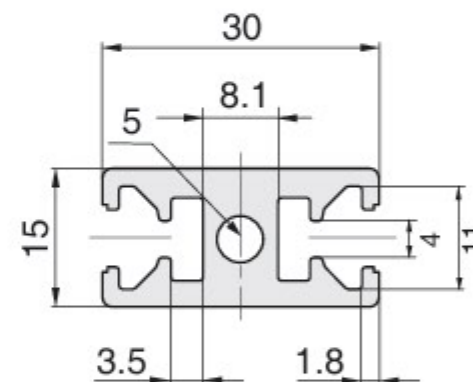
PGS15-1515 (2groove)



PGS15-1530 (3groove)



PGS15-1530B (2groove)



- ❗ strut profile 15 series groove width is 6mm, applied to light-load structures.
- ❗ Recommended connectors: angle profile bracket, Right-angle connection parts in the groove, straight-line connection parts in the groove

| Code No. | | L | weight (kg/m) | inertia moment mm ⁴) | | bending moment mm ³) | |
|----------|-------|-------------|---------------|----------------------------------|-------------------|----------------------------------|-------------------|
| Code | No. | | | Ix | Iy | Wx | Wy |
| PGS15 | 1515 | 10.0~5800.0 | 0.4 | 0.2×10^4 | 0.4×10^4 | 0.3×10^3 | 0.5×10^3 |
| | 1530 | | 0.6 | 0.7×10^4 | 1.8×10^4 | 0.8×10^3 | 1.2×10^3 |
| | 1530B | | 0.75 | 0.7×10^4 | 1.8×10^4 | 0.8×10^3 | 1.2×10^3 |



| | |
|------------|----------|
| Code No. | L |
| PGS15-1515 | - L300.0 |