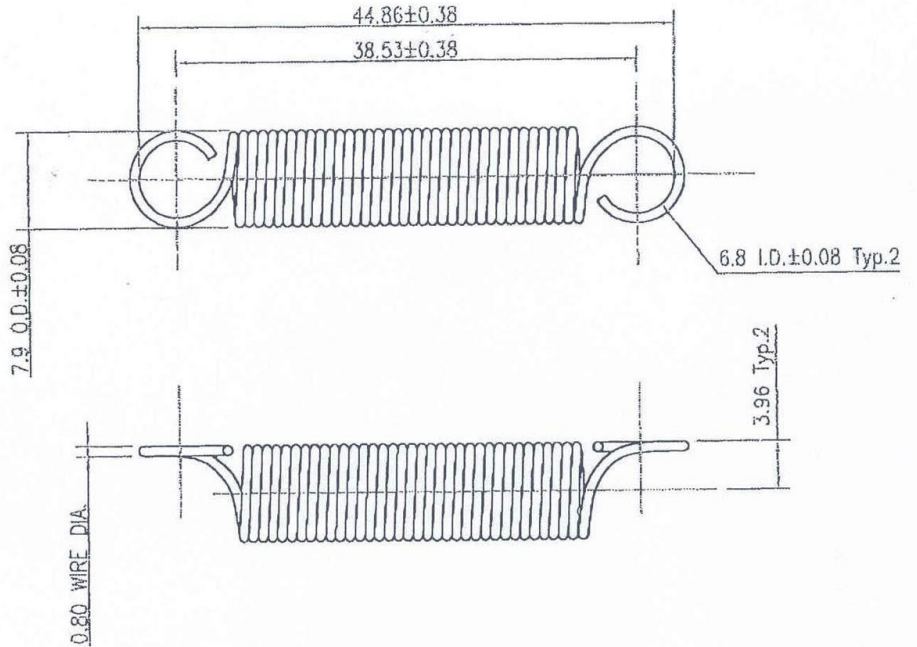


REV.	DESCRIPTION	DATE	ECN	APPR.
A1	1) INITIAL RELEASE	01/09/06		
B1	1) MATERIAL STAINLESS STEEL WAS MUSIC WIRE 2) NOTE ASTM A313 WAS ADDED	04/05/06		



ACTUAL SIDE



**SPECIFICATIONS:**

- 1) OUTSIDE DIA.=7.90±0.08mm (0.311±0.003")
- 2) FREE LENGTH=44.86±0.38mm (1.776±0.015")
- 3) WIRE DIA.=0.80±0.0254mm (0.031±0.001")
- 4) # OF ACTIVE COILS= 35
- 5) RATING=1.84 Lbs.in/rad
- 6) MAT'L: STAINLESS STEEL TYPE 302 /ASPER ASTM A313  $\text{\textcircled{B1}}$
- 7) LEFT HAND WINDING
- 8) DO NOT SCALE THIS DRAWING
- 9) ALL DIMENSIONS ARE IN mm

THIS MATERIAL IS CONFIDENTIAL BUSINESS INFORMATION AND A TRADE SECRET

	DRAWN BY: RT	DATE: 02/06/02	CHINA INDUSTRY	
	CHECKED BY:	DATE:		
	APPROVED BY:	DATE:	TITLE: SLIDE SPRINGS	
<b>CODE:</b> HW255CR	<b>TOLERANCES</b> (UNLESS OTHERWISE SPECIFIED) LINEAR: 1 PLC. DECIMAL ±0.10mm 2 PLC. DECIMAL ±0.05mm ANGULAR: ±1/2°		DRAWING NO.:	SCALE: 2:1
<b>PS200202</b> RECEIVED: Jan/20/06	MATERIAL: SPRING STEEL	SIZE: <b>A</b>	MODEL ID.: POPPER SCOOPER	SHEET OF
			PRO-E PRT NO.:	REVISION: B1