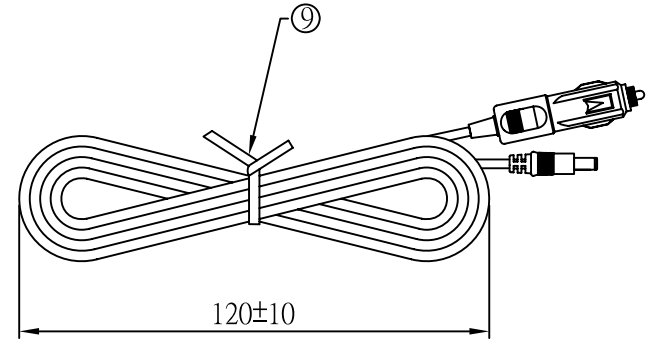
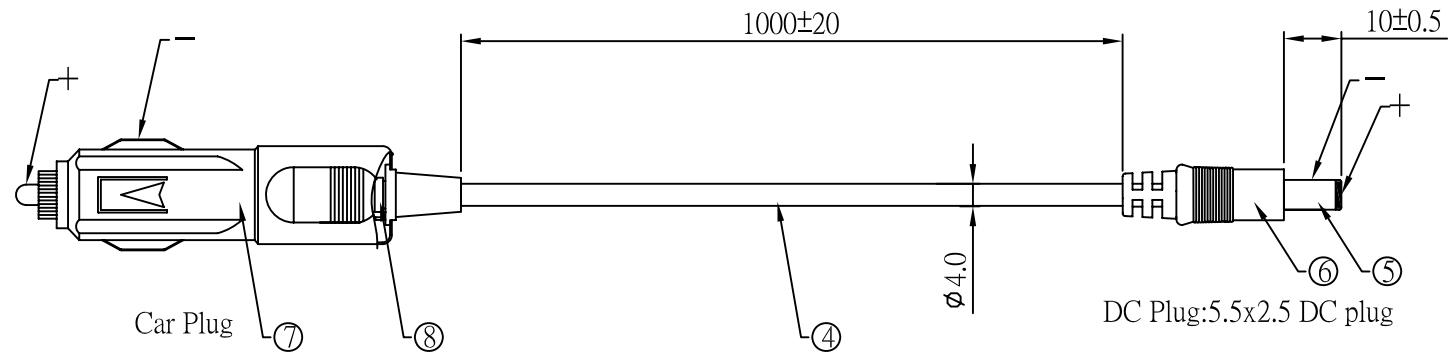


NOTES:
 1. Wire:29/0.12x1.3x2C(red,white) OD4.0 black L=1000;
 2. One side:car plug LW-003 (3A 250V fuse);One side:5.5x2.5 DC plug
 3. Mould No.: DC plug: U-1



Connector wiring:

Car plug	wire	5.5x2.5 DC plug
+ _____	Red _____	+
- _____	White _____	-

<input checked="" type="checkbox"/> RoHS	<input type="checkbox"/> REACH	<input type="checkbox"/> PAHs	<input type="checkbox"/> CPSIA	<input type="checkbox"/> _____
<input type="checkbox"/> Original	<input type="checkbox"/> Medical	<input type="checkbox"/> UL	<input type="checkbox"/> VDE	<input type="checkbox"/> _____

UFA (H.K) INDUSTRIAL CO., LTD.

DESCRIPTION:			CN:	
ABO	UNT	TOL	P/N: MC40-01369-01	DATE: DEC 28,2004
10	10	±1	SCALE: N/A	UNIT: mm
50	100	±3		
100	500	±5	SAMPLE No:	
500	1000	±10		
1000	2000	±30		
DWG: N.Z.Y			CHECK:	APPROVED:

NO.	DESCRIPTION	MATERIALS	VENDOR	COLOR	QTY
1					
2					
3					
4					

DRAW NO: ST-01369-01/1-00 1234