

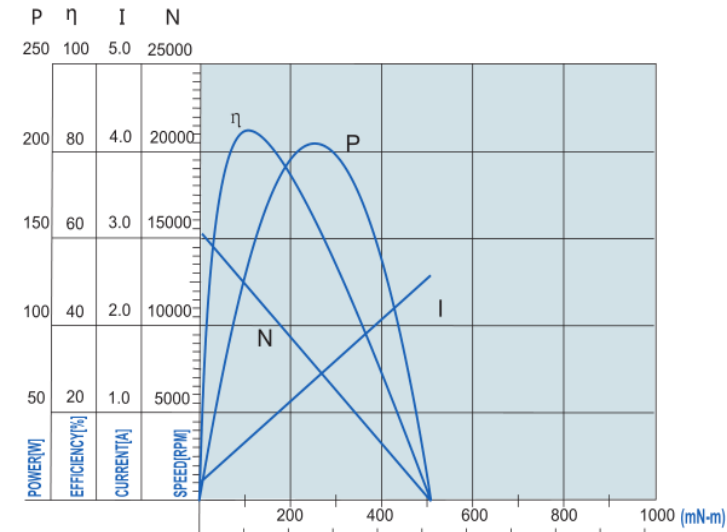
Model No.: CR097JSDL001



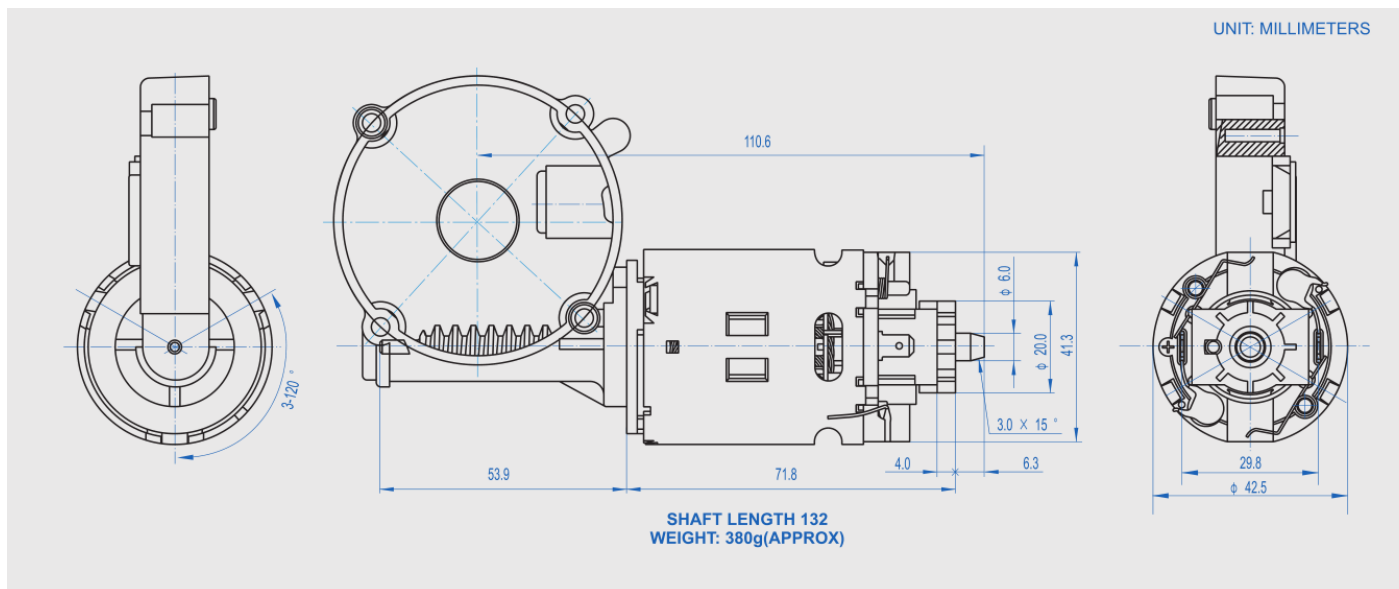
Nominal voltage: DC230V
 Operating range: DC207V-253V
 No load current: 0.20A
 No load speed: 15500rpm/min
 Current with load: 0.72A
 Speed with load: 12125rpm/min
 Power at max efficiency: 160W
 Max efficiency: 60%
 Starting torque: 506 mN.m
 Starting current: 2.6A
 Output: 50W-170W

CR097JSDR001

DC230V



Dimensions



Main applications:

- Household appliances: Coffee machines.