

Forging

Forging is the shaping of metal using localized compressive forces. Forging is often classified according to the temperature at which it is performed: "cold," "warm," or "hot" forging. Forged parts can range in weight from less than a kilogram to 170 metric tons. Forged parts usually require further processing to achieve a finished part.

Available material: steel, brass, aluminium, stainless steel

Available finishing: zinc plating, anodizing, chrome plating, powder coating, nickel plating.



Innovate your thinking!

CNC machining

Castle is equipped with modern machine tools carefully selected for their efficiency and accuracy, we have the following types of equipment.

- Conventional and CNC Lathes
- Conventional and CNC Milling Machines
- High Speed CNC Machining Centres
- 4-axis CNC Machining Centres
- Precision Wire Cut Machines
- Surface and Cylindrical Grinders

Available material:

Steel, aluminium, brass, stainless steel material.

Available finishing:

Zinc plating, anodizing, polishing, powder coating, chrome plating, nickle plating, passivation, anodizing



Innovate your thinking!

Stamping

Stamping includes a variety of sheet-metal forming manufacturing processes, such as punching using a machine press or stamping press, blanking, embossing, bending, flanging, and coining[1]. This could be a single stage operation where every stroke of the press produce the desired form on the sheet metal part, or could occur through a series of stages. The process is usually carried out on sheet metal, but can also be used on other materials, such as polystyrene.

The max thickness we can achieve is 12mm. Castle can make progressive toolings for big quantity stamping parts in order to help customers save the unit cost.

Available material:

Steel, aluminium, brass, stainless steel material.

Available finishing:

Zinc plating, anodizing, polishing, powder coating, chrome plating, nickle plating, passivation.



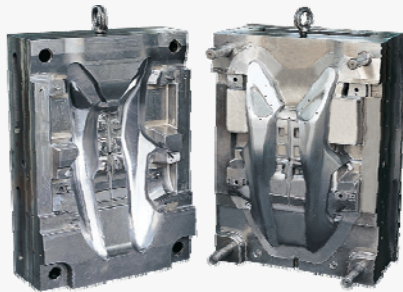
Innovate your thinking!



Other Products

Mold

Die casting mold and plastic injection Mold



Spring

Different kinds of springs



Powder Metallurgy

Powder metallurgy technology according to customer's requirement.



Plastic Injection

Plastic injection for PP, ABS, Nylon, PVC, PC.



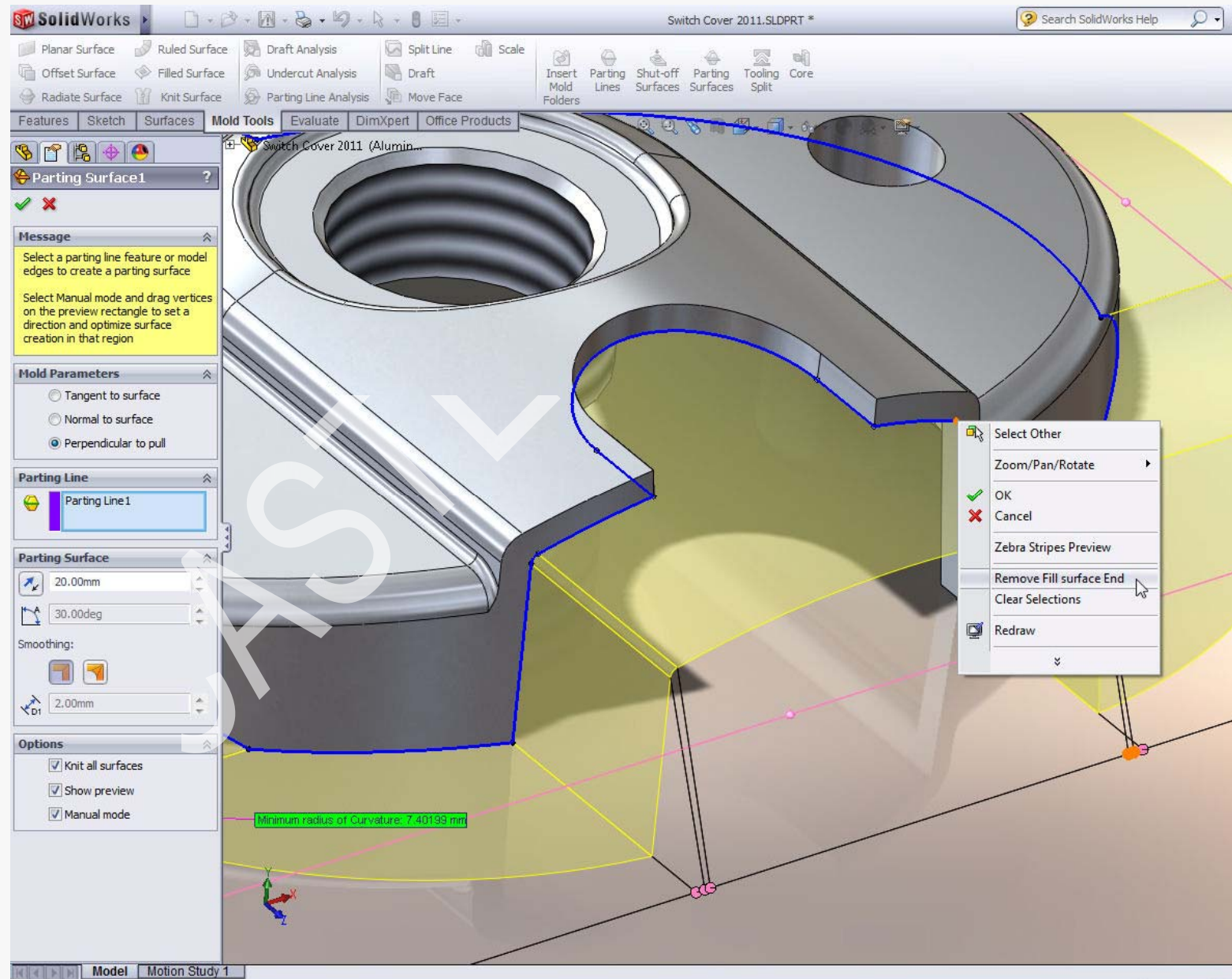
Assembly

Assembly job for all mechanical-mechanical or mechanical-electronic products.



Softwares

1. AUTOCAD
2. PRO/E
3. SOLIDWORKS
4. UG





CONTACT INFO

Email info@catleintl.com

WEB www.castleintl.com



ADDRESS

1001, Greata Mansion, No.500,
Taikangzhong Road,
Ningbo, 315000, China



TELEPHONE

+86.574.2786.3080



Thanks

