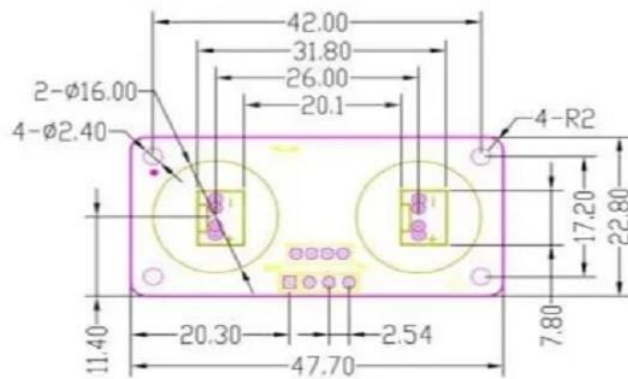
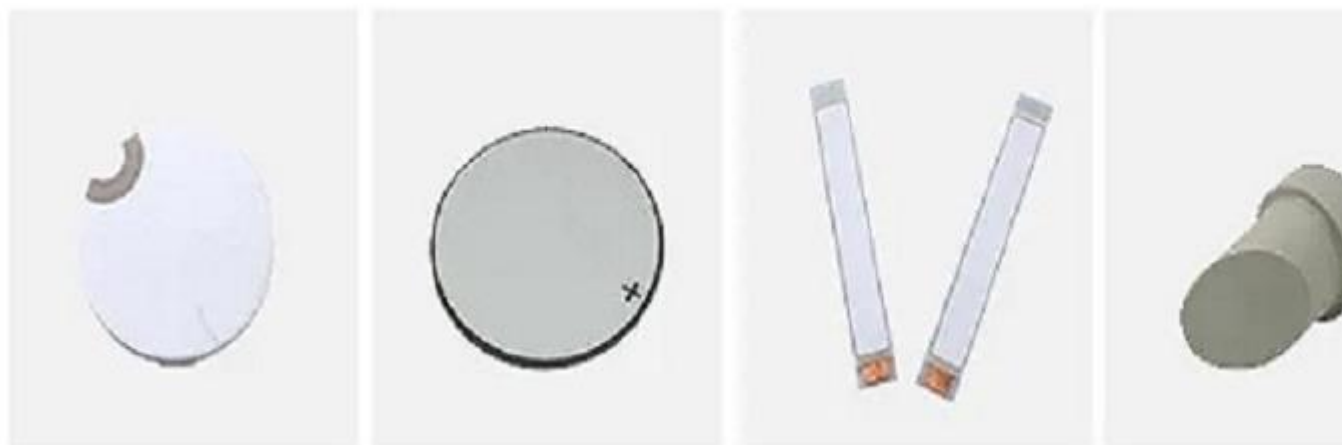


Operating voltage	DC 3.3~5V
Operating Current	≤8mA
Working frequency	40kHz
The longest range	500cm
The shortest range	2cm
Operating temperature	-30 to +85°C
Measuring angle	60 °
Input the trigger signal	1. 20uS TTL pulse 2. Serial port send command 0X55



PIEZOELECTRIC ULTRASONIC TR





>> Company Profile <<



StrongFirst 

STRONGFIRST ELECTRONICS & TECHNOLOGY LIMITED

广州市思硕电子科技有限公司

 **IG** 

Strong Electronics & Technology Limited is a Hi-tech company specialized in development, production and sales of SAW, Devices, Crystal Devices, LTCC series, Dielectric Devices, Ceramic Devices and IC in China.

Established in 2003, following the quality policy "Profession: Total quality assurance, Devotion: Total customer satisfaction, Sustaining creative and promotion". Keeping to provide the high quality, high reliability and the most competitive price to worldwide customers. Not only do our products build up its credibility and reputation among worldwide customers, but also some parts have been approved by many famous enterprises, especially for consumer electronics manufacturer from home and overseas market.

The main products are widely applied in Smart Auto; Video game; IoT; Remote control & Car Alarm; Computer; Server; Smart TV; Smart phone; Smart wearable device; Tablet PCs; AR/VR; Mobile Telecom; Cable networking; Radar & RF Device; Satellite communication navigation and GPS; Aerospace & Defence application etc.

>> **FACTORY** <<

Our R&D center and factory locate in Wu Xi city, China. We have an experienced R&D team, and cooperate and communicate with many famous university and institute, Build the owned technical patents and development software copyright, well-equipped semiconductor production line and most sophisticated facilities for research and test. With implementing ERP information system, we have established the complete quality and environment management system according to ISO9001 and ISO14001 standards. The large R&D and production facility and base have been established with more than 300 people, 26000 square meter workshop, monthly production capacity 12KK and more than 80 technical and engineers



>> EXHIBITIONS <<

Participated in many domestic and foreign exhibitions, now our products have been exported



CERTIFICATE



ISO9001



ISO14001



TS16949



Patent Certificate



Trade Mark



StrongFirst Trade Mark

www.strongfirst.com.cn