
TriCreate Pro Foldable Triple Monitor Product Specification

1.0

Version History

Date	By	Changes	Version
2025-09-17		• Initial Version	1.0

Contents

Version History	2
1.0. Introduction	4
2.0. Features	5
3.0. Typical Applications	7
4.0. Technical Specifications	8

1.0. Introduction

The TriCreate Pro is a foldable triple monitor designed to significantly enhance your productivity. Featuring an innovative patent-pending foldable stand, it positions three expansive 18.5-inch screens perfectly above your laptop display and folds compactly for effortless portability. Ideal for a wide range of mobile work scenarios—including business travel, engineering tasks, and meetings—the TriCreate Pro empowers professionals who demand more screen space and versatility.

Connect the TriCreate Pro with just a single Type-C cable, or use USB to HDMI adapters for external connectivity. Its streamlined setup ensures a seamless and user-friendly experience wherever you work.



2.0. Features

- 3 x 18.5 inches FHD IPS Monitors
 - Display Resolution: 1920 x 1080p
 - Aspect Ratio: 16:9
 - Refresh Rate: 60 Hz
 - Color gamut: 72%NTSC
 - Brightness:300(±30) Nits
 - Wide Angle: 178°
 - Support Low Blue light, comfortable for eyes
- Connection and Interfaces
 - 3 x HDMI exclusive for each monitor
 - 1 x USB A-C + 1 x mini HDMI for triple monitors
 - 1 x Type-C to support triple display
- Power Delivery
 - PD 65 power adaptor
 - Type C charging port
- Buttons: 4 keys for triple monitor: from left to right, Menu-Power, Up/+, Down/-, Confirm-Exit
- Compatible with multiple systems and devices
 - Windows
 - Mac: including M1, M2, M3, M4
 - Linux: Ubuntu
 - The left and right monitor swivel Angel: 360°
 - Auto magnetic suction for the outside screens while it is in the triangle display mode.



- Built-in flexible kick stand

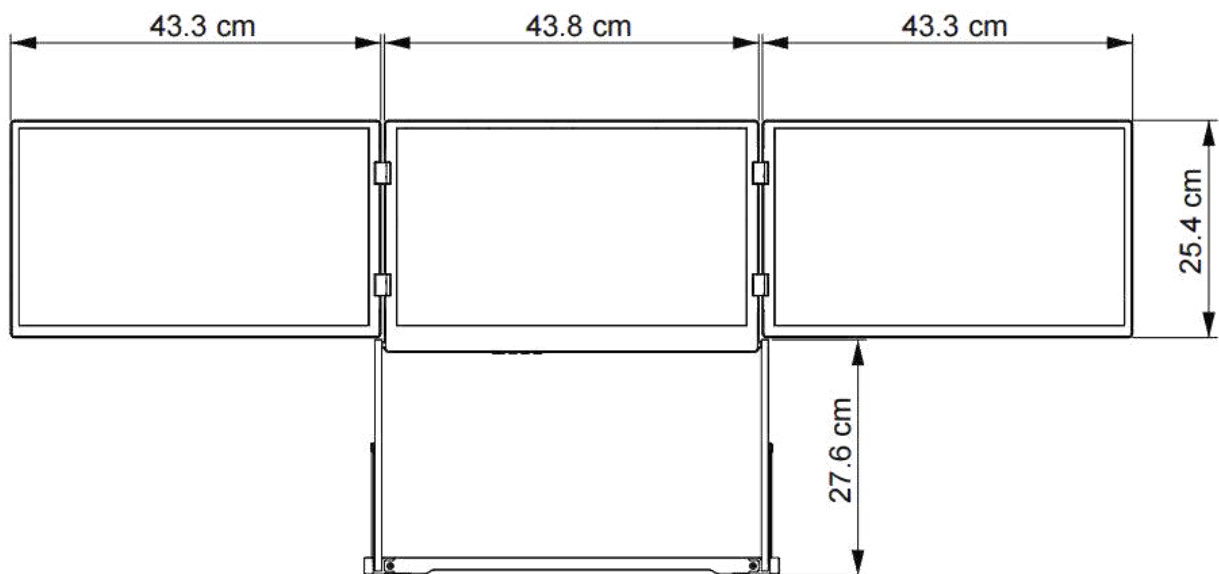
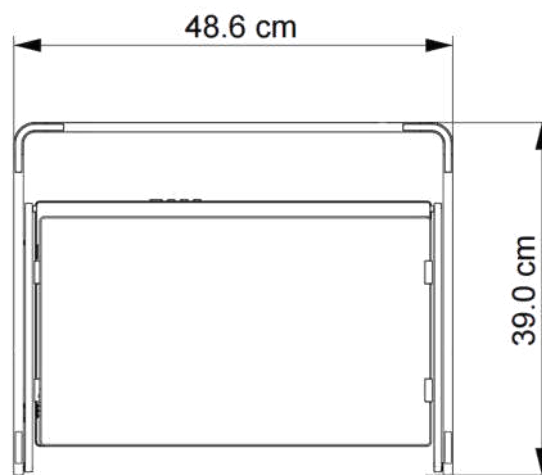
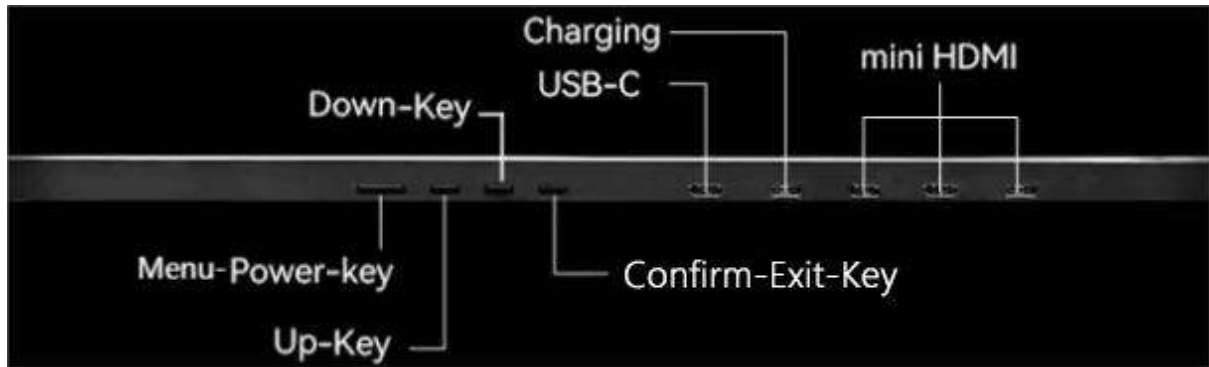
- 4 rotatable handles for the stand
- 3 Adjustable Height
- Compatible Laptop Size: \leq 18.5 inches

3.0. Typical Applications

- Engineering: software programming, algorithms analysis, hardware drawing, mechanical design
- Design: Industrial Design, Video editing
- Financial: Stock real time tracking, stock market analysis, data comparison and analysis
- Music composing
- Gaming: 3-in-1 display mode helps you to get more map contents of the game
- On-the-go office



4.0. Technical Specifications



Description	Parameters
Panel Size	18.5" (16 : 9) Triple Screen
Panel technology	IPS
Color gamut	72%NTSC
Display Colors	16.7 M
Resolution	1920 x 1080p
Viewing angle: Vertical Horizontal	85° (typical) 85° (typical)
Brightness (Typ.)	300(±30) Nits
Keys	4 Keys: Power-Menu, Up/+, Down/-, Confirm-Exit
Speaker	2 x 6 Ω 2W speaker
Refresh rate	60 Hz
Connectivity	1 x Type-C to support triple display 1 x USB A-C + 1 x mini HDMI for triple monitors 3 x HDMI direct connection to each monitor
Fold Angle	0~ 360°
Net Weight	4.2KG
Cross Weight	5.2KG
Package Size	520 x 440 x 80 mm
Compatible systems	Windows, Mac, Linux
Operating Condition	Temperature:0°C-50°C Humidity:20%-80%
Storage condition	Temperature -20°C - +60°C Humidity: 5% - 90%, non-condensing
Power Charger	USB - PD, 65 W
Certifications/Compliance	