

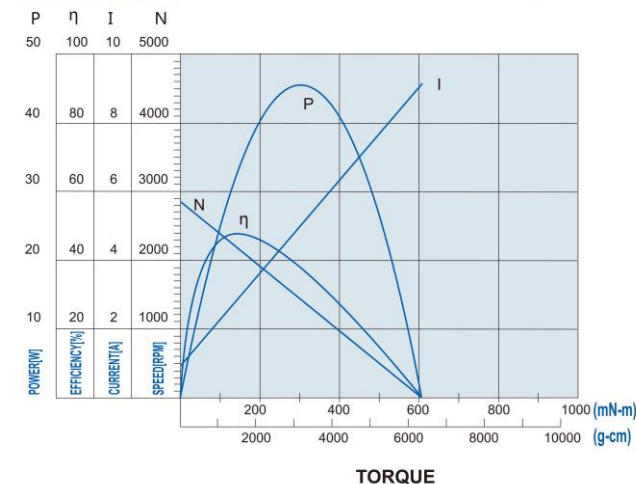
Model no.: CR098JSDL023



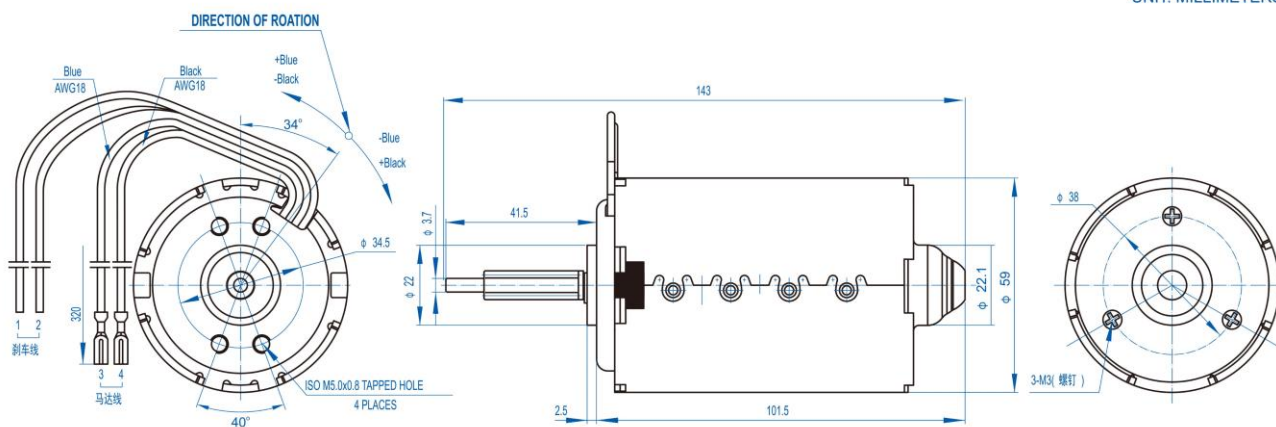
Rated voltage :	DC24V
Operating range:	DC22V-26V
No load current:	0.92A
No load speed:	2862rpm/min.
Current with load:	2.894A
Speed with load:	2172rpm/min.
Max. output:	34W
Max Efficiency:	50%
Starting torque:	607.5 mN.m
Starting current:	9.1A

CR098JSDL023

DC24.0V



Dimensions



WEIGHT: 860g(APPROX)

Main applications:

1. Personal care products:
Massagers, Vibrators;
2. Intelligent furniture:
Actuators for Electric beds,
electric chairs, adjustable
tables.