

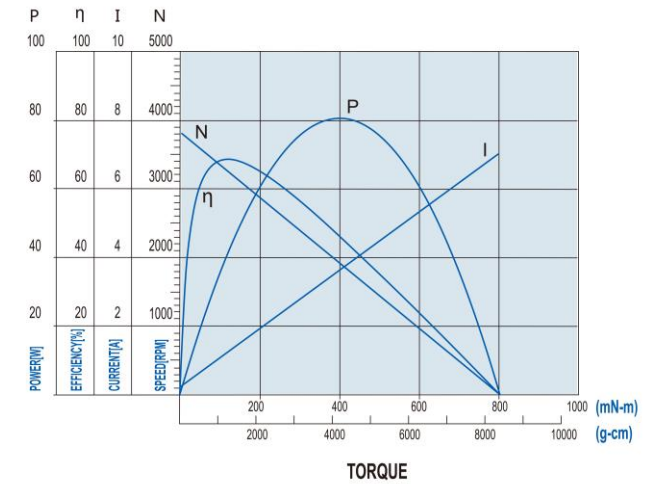
Model no.: CR098JSDL044



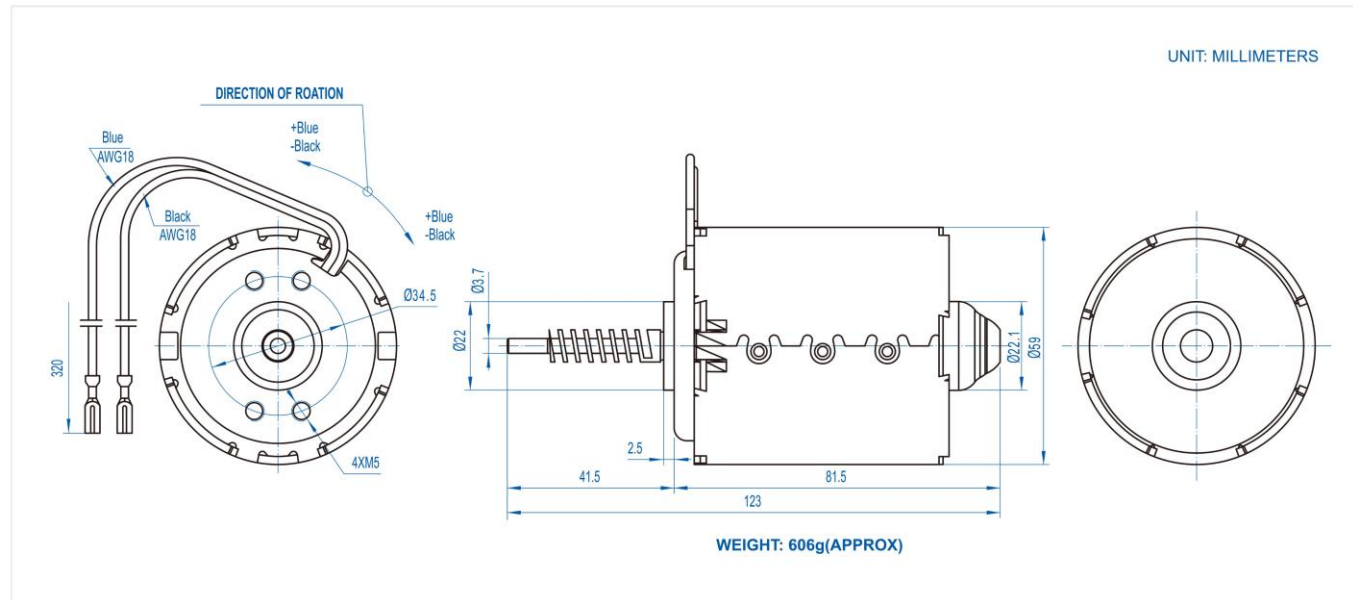
Rated voltage:	DC24V
Operating range:	DC21V-26V
No load current:	0.443A
No load speed:	3835rpm/min.
Current with load:	2.5A
Speed with load:	3258rpm/min.
Max. output:	41.2W
Max Efficiency:	65%
Starting torque:	803.27 mN.m
Starting current:	14.122A
Output:	approx 10W-80W

CR098JSDL044

DC24.0V



Dimensions



Main applications:

1. Personal care products: Massagers, Vibrators;
2. Intelligent furniture: Actuators for Electric beds, electric chairs, adjustable tables.