



PD-V5-N 360° 5.8GHz Microwave Motion Sensor

Application

- Intelligent switch
- Automatic light
- Intruder detect

Feature and advantage

- Low wireless power output
- Low power consumption
- Non-contact detection
- Easy to match with the external circuit
- High anti-jamming ability
Suit various harsh environment
- Low noise output

PD-V5-N 360° 5.8GHz Microwave Motion Sensor is a C-Band Bi-Static Doppler transceiver module. It adopts built-in Resonator Oscillator (CRO) amplified signal external circuit, it is convenient for the customers to develop various products.

This module is ideally suitable for occupancy sensor in automatic lighting switches. It can also be used for ceiling mount intruder detectors.

According with EN 300440、EN 62479

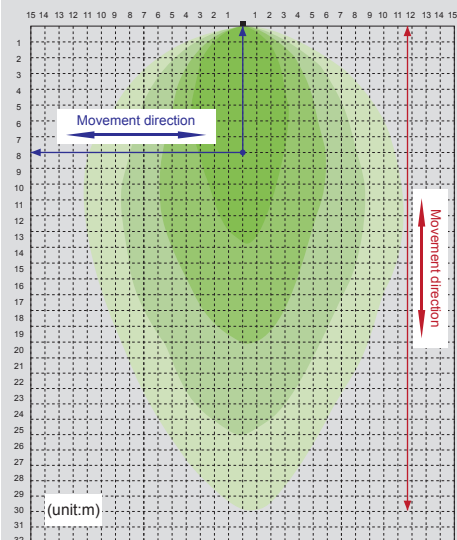
RED directive - 2014/53/EU

According with FCC Part 15.249

According with EN 62321, ROHS directive - 2011/65/EU

According with REACH directive - 1907/2006/EC

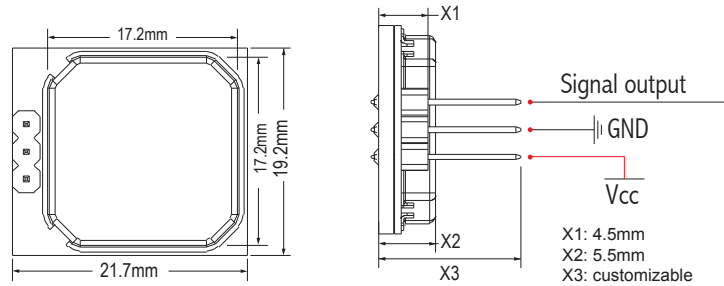
Detecting Pattern



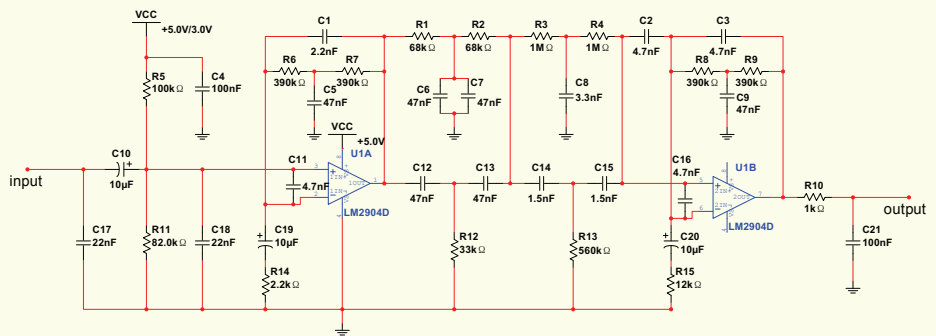
Wall installation : The detection distance moving towards the sensor direction can reach 30 meters.

Ceiling mounted installation : When installed at a height of 3 meters, its radius detection distance is around 7-8 meters (detection distance moving towards the center).

Products size



Reference circuits



Parameter	Notes	Min	Typ	Max	Units
Supply Voltage		4.75	5.00	5.25	V
		2.85	3.00	3.15	
Frequency Setting	1	5.75	5.80	5.85	GHz
Radiated Power (EIRP)	1	0.18	0.20	0.22	mW
Received Signal Strength	2	150	200	300	μVp-p
Current Consumption		18.5	19	19.5	mA
Operating Temperature		-30	25	105	°C

WARNING: The actual detection range is related to the signal amplification gain of the circuit, the overall layout of the PCBA and the threshold of the MCU.

Note1: The radiated emissions is designed to meet FCC and CE rules.

Note2: The Received Signal Strength(RSS) is measured at the total 1 Ways path loss of 64dB.

Ningbo Pdlux Electronic Technology CO.,Ltd

Add: Room 1212, Building B, Ningbo Chamber of Commerce Building, 588 Tiantong South Road, Ningbo City, Zhejiang Province
Tel: 86-574-83008608(20 lines) Email: pdlux@pdlux.com Web: www.pdlux-solution.com www.pdlux.com

