

for cable DIA.  
A: 7, 9, 10.5,

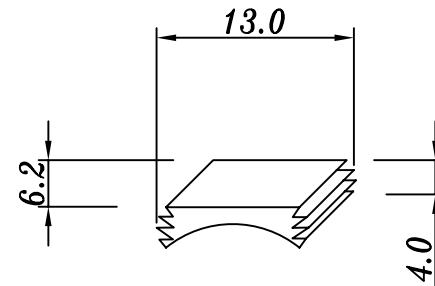
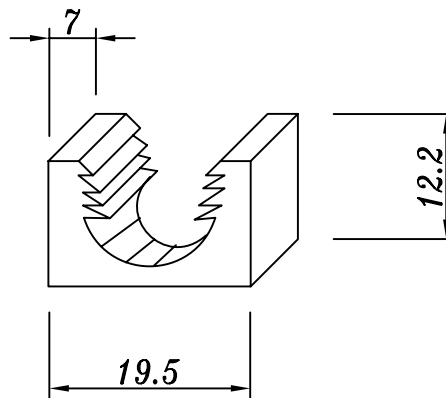
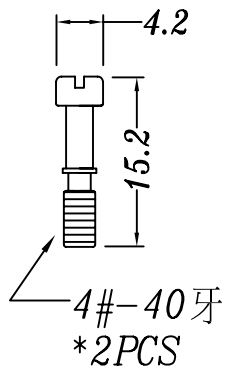
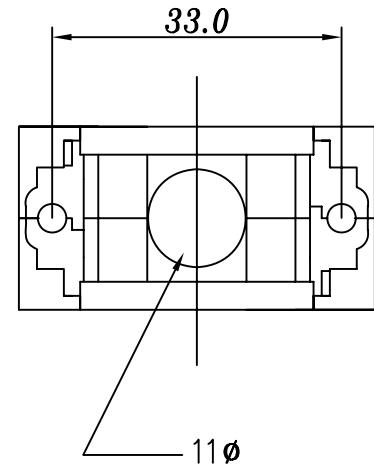
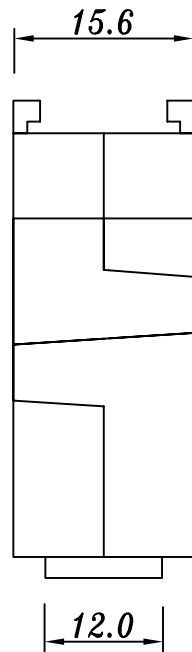
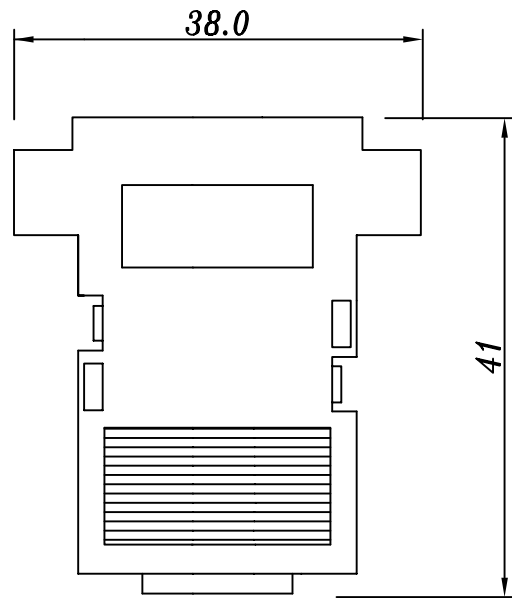
DHA-N1Dxx-15-LF  
LEADFREE  
07:7mm/CABLE/DIA.  
09:9mm/CABLE/DIA.  
10:10.5mm/CABLE/DIA.

RoHS Compliant

**M** MORETHANALL  
CONNECTORS  
ASSEMBLIES

PART NO. DHA-N1Dxx-15		CHECKED BY CY		TOLERANCES ARE .X ± 0.2 .XX ± .XXX ± AWG	DESCRIP TION:			
DWG NO. DHA-N1Dxx-15		DRAWING BY			AREA	REVISIONS	HK	DATE
FILE NO.		PROJECTION						
UNIT / mm	SCALE 1:1							

焯倫股份有限公司



**MORETHANALL**  
CONNECTORS  
ASSEMBLIES

PART NO. DQ-G1-15

DWG NO. DQ-G1-15

FILE NO.

APPROVED BY CY

DRAWING BY

TOLERANCES ARE

.X  
.XX  
.XXX  
AWG

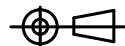
DESCRIPTION: D SUB QUICK HOOD

煜倫股份有限公司

UNIT / mm

SCALE 1:1

PROJECTION

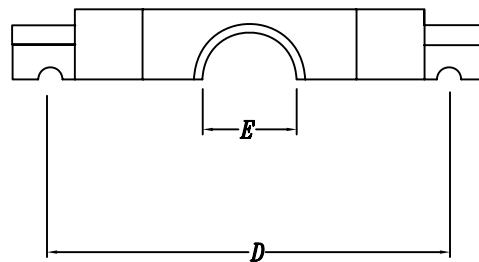
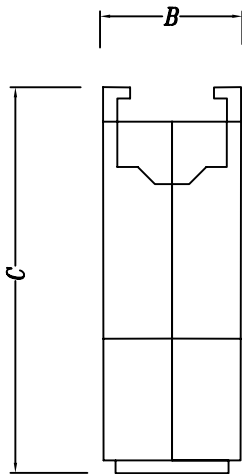
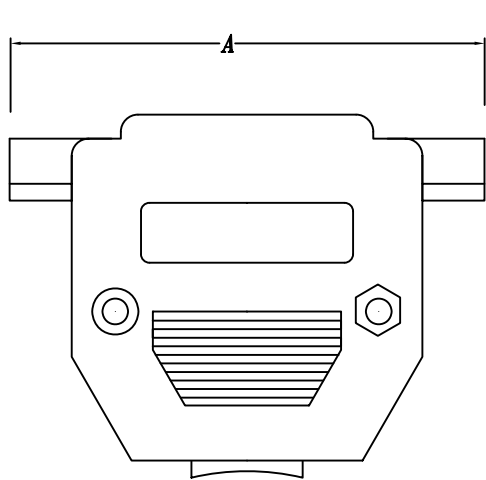


AREA

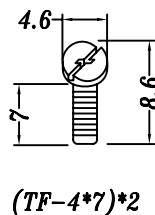
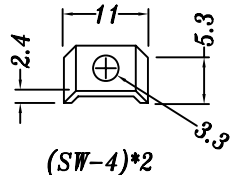
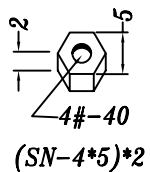
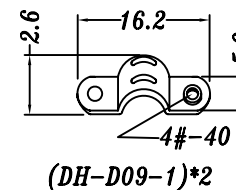
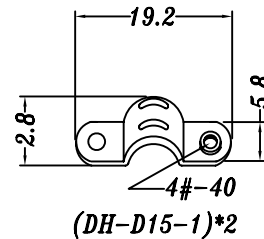
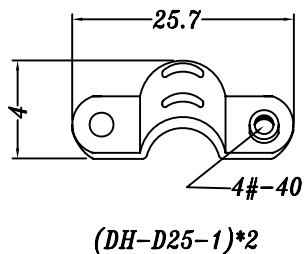
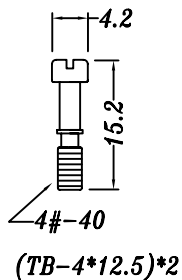
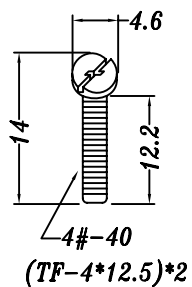
REVISIONS

HK

DATE



**MATERIAL**  
**INSULATOR:ABS 94-HB**



	37P	25P	23P	15P	09P
A	69.5	55	50.2	40	30.5
B	20	16	16.2	16.2	16
C	53	44.5	41.7	37.4	41
D	63	47	44	33.5	25
E	14	10.5	10.1	10	7

**MORETHANALL**  
CONNECTORS  
ASSEMBLIES

PART NO. DH-G1-xx

DWG NO. DH-G1-xx

FILE NO.

APPROVED BY CY

DRAWING BY

TOLERANCES ARE

.X  
.XX  
.XXX  
AWG

DESCRIPTION:

焯倫股份有限公司

UNIT / mm

SCALE 1:1

PROJECTION

AREA

REVISIONS

HK

DATE