

ELSKY QM8900H-UA V1.2

Model :

Model	CPU	4K	LAN	COM	USB2.0	USB3.0	USB3.1	SSD	Memory	Power
QM8900H -UA	Support Intel Comet Lake 10 gen i5、i7、i9	Sup port	1	2/6	5	2	4	1*M.2 1*MSATA 1*SATA	2*NB-DDR4 MAX 64G	+12V/19V
	2		2/6	3	2	4				

Motherboard support 11*USB by default

 importance tips :

Power port :

Mainboard DC interface specifications 5.5*2.5, support a 4-pin ATX power interface;
The mainboard supports 12V or 19V power supply; Full power consumption of about 70W, it is recommended to use 12V7A or 19V5A power supply; ;

Display port :

- 1、 Mainboard HDMI1, HDMI2/VGA, EDP1, LVDS/EDP support single display, double display/triple display replication, double display/triple display expansion, double display under SHELL;
- 2, the motherboard default support dual HDMI, support 4K resolution 4096/3840*2160@30Hz, HDMI2 can be changed to support VGA, after VGA need to brush BIOS;
- 3, the main board LVDS/EDP pin default support LVDS, can be changed to support EDP, shared pins, after the change to support double EDP;
- 4, motherboard EDP1 can not be displayed independently, independent display will be abnormal, need to be used with EDP or LVDS;
- 5, motherboard EDP1 with EDP-C screen line (30Pin backlight integrated screen line), EDP with EDP-B screen line (20Pin backlight separate screen line);
- 6, motherboard EDP1 support 4K resolution 4096/3840*2160@60Hz; The EDP does not support 4K resolution;
7. The mainboard supports PCIE X16 ports and can be connected to an external independent graphics card. By default, all the on-board display output ports on the mainboard have no signal after an external independent graphics card is connected ;

Mini_PCIE port :

- 1、 By default, PCIE signals and USB signals coexist in Mini-PCIE ports on the mainboard (WiFi/4G/Bluetooth modules are supported by default).
- 2, the motherboard MSATA interface default SATA signal and USB signal coexist, the default support MSATA disk or USB signal WiFi module, SATA signal can be changed to PCIE signal, after the change to support PCIE signal WiFi module;
3. The MSATA interface and SATA2 interface on the mainboard are optional. The default MSATA interface has signals, and the default SATA2 interface is not included ;

M.2 port :

The mainboard supports Key-M interface M.2 2280 (optional). M.2 2242, generation 10 supports the NVME (PCIE) protocol by default. The SATA protocol can be changed ;

USB port :

- 1、 The motherboard supports 11USB by default (4*USB3.1 Gen1; 2*USB3.0; 5*USB2.0);
- 2, the mainboard default external USB interface and built-in USB pin are S power (no power after shutdown), the built-in USB pin can change A power (powered after shutdown), the external USB interface can not change A power;
- 3, the default F_USB2 1/3/5/7 pin no signal, and USB sound card to choose one, the default support USB sound card ;

COM port :

- 1、 Motherboard optional support 2/6*COM, the default support RS232; The COM1 port can support RS232, RS422, or RS485 through BIOS Settings.
2. The mainboard COM1/2 can set the ninth pin output 0V/5V/12V via JPCOM1/2/ jump cap respectively, and the default is 0V ;

sound card :

The motherboard supports Cmedia HS_100B USB audio chip, its USB signal and F_USB2 1/3/5/7Pin pin signal is one of two options, the default F_USB2 1/3/5/7 pin no signal, the motherboard does not support to change the Realtek sound card ;

Network card :

The mainboard supports the Realtek 8111H single Gigabit NIC by default. You can change the Realtek 8111H+Intel i219V dual Gigabit NIC. POE power supply cannot be changed ;

Instructions

Except for the accessories configured with the product, the content contained in this manual does not represent the company's commitment, and the Company reserves the right to change this manual without prior notice.

It is not responsible for any direct, indirect, intentional or unintentional damage and hidden dangers caused by improper installation or use.

Before ordering the product, please ask the distributor for details about whether the product performance meets your needs.

The contents of this manual are protected by copyright, all rights reserved, and may not be reproduced mechanically, electronically or in any other way without permission.

The final interpretation of this manual belongs to SHENZHEN ELSKY TECHNOLOGY CO.,LTD.

The above ordering information is for reference, please consult the specific business, consulting telephone 0755-82260150

The following CPU information is for reference only. Please contact sales for specific requirements !

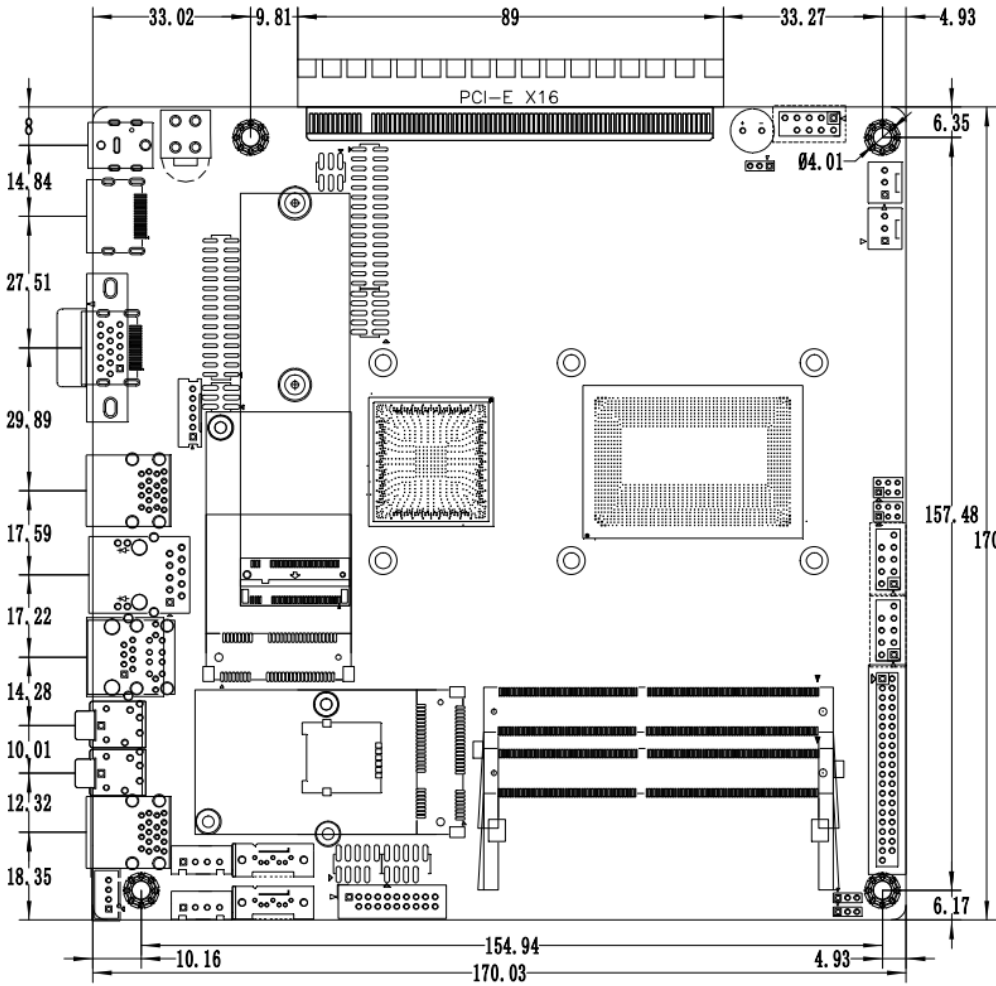
CPU	CPU brand	CPU model	Dominant frequency	rayfrequency	CPU Power dissipation (W)	Full load power consumption of the whole board is about (W)
10 genI5	Intel core	10200H	4 cores 2.4G	4.1G	45	70
		10300H	6 cores 2.5G	4.5G	45	70
		10500H	6 cores 2.5G	4.5G	45	70
10 genI7	Intel core	10750H	6 cores 2.6G	5.0G	45	70
		10870H	8 cores 2.2G	5.0G	45	70
10 genI9	Intel core	10980HK	8 cores 2.4G	5.3G	45	70

BIOS Function key

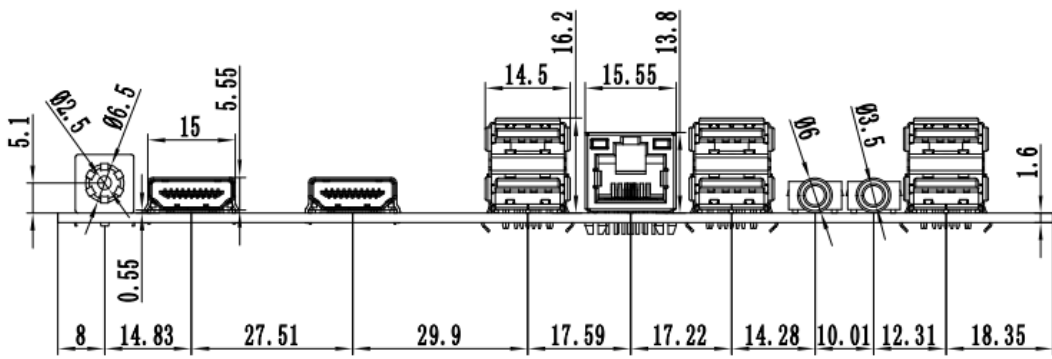
BIOS Function key	Function description
Press Delete on startup	The BIOS function screen is displayed
Press F11 to start	Select the boot option or access the BIOS function screen
← →	Move the left and right arrows to select an entry
↑ ↓	Move the up and down arrows to select the entry
Enter	Select the item and go to the submenu
+/-	Change the selection, or add or subtract values
F1	The help content is displayed
F9	factory data reset
F10	Save the changes and exit
Esc	quit

Specification

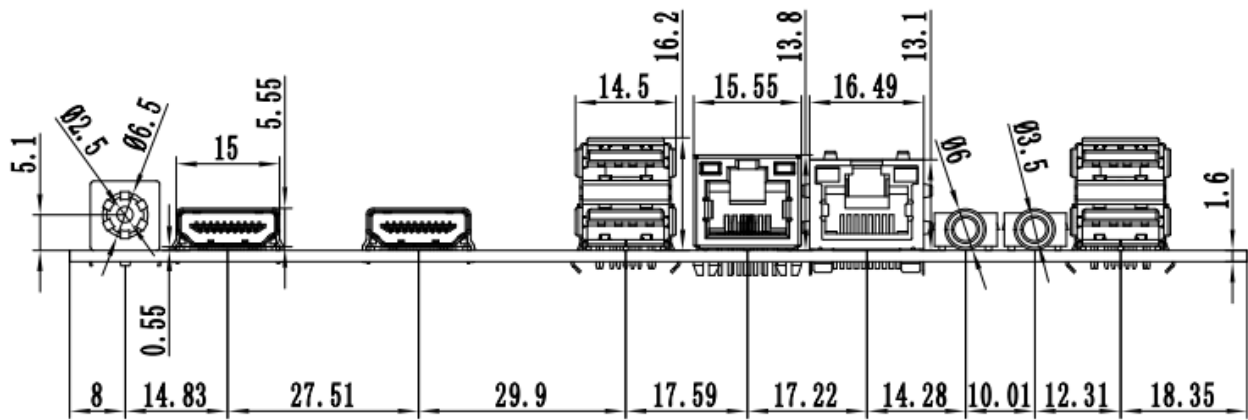
1.1 motherboard size



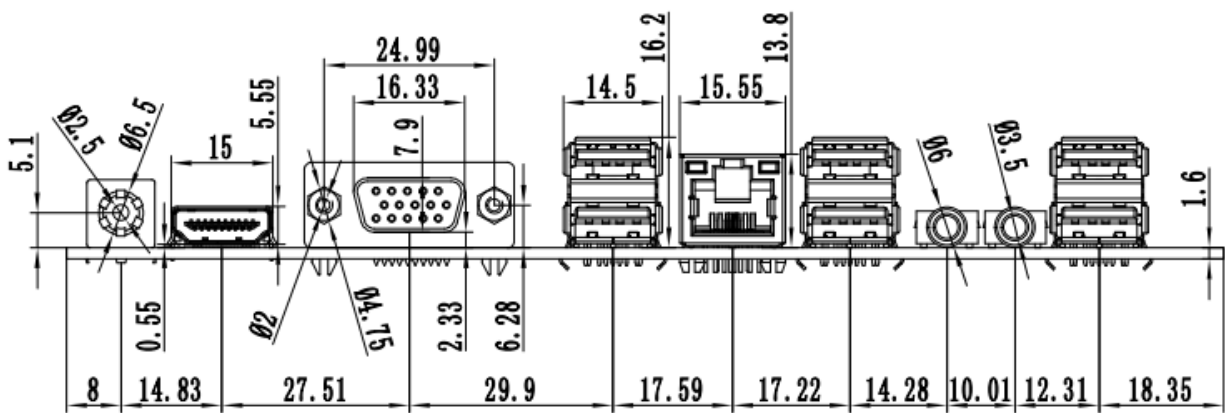
HDMI+HDMI +single lan



HDMI+HDMI +dual lan



HDMI+VGA +single lan



HDMI+VGA +dual lan

