

- ★ High efficiency power
- ★ Meets "ENERGY STAR" Program Requirements
- ★ Over voltage protection
- ★ Over load & short circuit protection
- ★ 100% full load burn-in test



Specification:

INPUT	Voltage	90-264VAC universal full range								
	Frequency	47-63Hz								
	Current	< 1.0A@100V AC input, full load condition								
	Inrush Current	< 40A@115V , < 60A@230V AC input.Cold start at 25°C ambient								
	Leakage Current	< 1.0A@ 264V AC input								
OUTPUT	PART NO.	AD12WB03	AD12WB05	AD12WB07	AD12WB09	AD12WB12	AD12WB15	AD12WB18	AD12WB24	
	Voltage	3V	5V	7V	9V	12V	15V	18V	24V	
	Max Load	0-3A	0-2A	0-1.7A	0-1.35A	0-1A	0-0.8A	0-0.65A	0.5A	
	Output Tolerance	±5%	±5%	±5%	±5%	±5%	±5%	±5%	±5%	
	Ripple Noise(MAX)	50mV	50mV	70mV	90mV	120mV	150mV	180mV	240mV	
	Efficiency(MIN)	≥75%	≥75%	≥75%	≥75%	≥75%	≥75%	≥75%	≥75%	
	Output MAX	12W	12W	12W	12W	12W	12W	12W	12W	
PROTECTION	Over Voltage	2.8~4.8V	4.8~6.8V	6.8~8.8V	8.8~10.8V	10.8~13.8V	13.8~16.8V	16.8~21.8V	21.8~29.8V	
		Shutdown and latch off, recover after re-start up								
	Over Load & Short Circuit	When power supply over 105%~150 max load or short circuit acted,powr supply will be shutdown and recover automatically after the fault is removed								
	Over Temperature	Over 95°C,the power supply will shutdown.								
ENIRONMENT	Temperature	Operating:-20~70°C;De-rating:45~70°C:2.5%/°C;Storage:-40~+85°C								
	Humidity	Operating: 20%~90% RH(non condensing);Storage:10%~95% RH(non condensing)								
SAFETY	Withstand voltage	I/P-O/P:3KVAC,I/P-PE:1.5KVAC,O/P-PE:0.5KVAC,1 minute								
	Isolation resistance	I/P-O/P,I/P-FG,O/P-FG>100MΩ/500VDC at 25°C/70% RH								
	Safety standard	UL 60950-1 2 nd ,CSA C22.2 No.60950-1-07 2 nd ,TU EN 60950-1:2006, IEC 60950-1:25005,standard								
EMC	EMI	EN 55022 CLASS B、FCC CFR 47 PART 15 CLASS B、CNS 13438 CLASS B								
	EMS	Compliance to EN61000-3-2 CLASS D,EN61000-3-3								
OTHERS	Cooling	Natural Cooling								
	M.T.B.F.	50K hours								
	Dimension	70x50x30mm (L*W*H)								
	Packing	N.W.:0.07kg/1pc; 15pcs/1.05kg CUFT/1 CTN								

Http: //www.powwt.com

Email: johnson@powwt.com

Factory address: JinQiao Industrial Park,XieKeng Village,QingXi Town, DongGuan City,GuangDong Province, China

Hong Kong Office: NO.304 3/F Man Tai Hse Tsz Man Est Tsz Wan Shan Kowloon, Hongkong



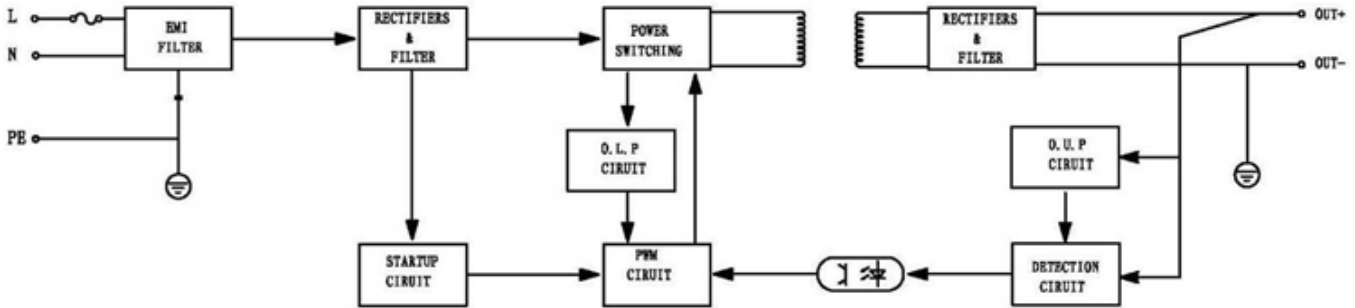
W&T ELECTRONICS CO., LTD

www.powwt.com

AD120100B SERIES

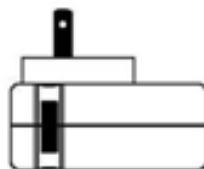
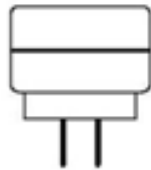
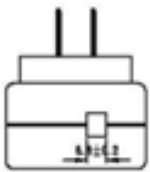
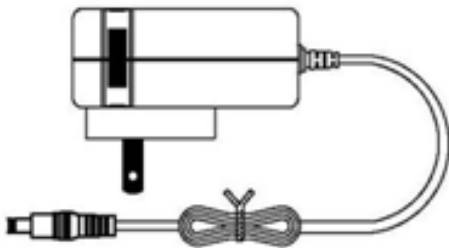
AC/DC Single Output: 8~12 Watts

Block Diagram:



Title: AD12W series case
Part NO.: k-024

Output plug options:



UL/PSE/CCC: L*W*H= (70*50*30mm)

2.1*5.5	2.5*5.5	3.0*6.5	0.7*2.5
1.7*4.75	6.0*8	3.0*6.3	1.35*3.4
3.0*5.5	3.0*7	1.7*3.8	1.35*3.8
2PIN PLUG	2PIN WITH GUIDE	3PIN PLUG	2 PIN
3PIN	6PIN PLUG	LARGE 4PIN	USB 2.0
USB	MINI 5 PIN USB	CLIP	MINI 30 PIN USB
			OTHER
ONE TO TWO PLUGS	ONE TO SEVEN PLUGS	CIGAR CODE	

Http: //www.powwt.com

Email: johnson@powwt.com

Factory address: JinQiao Industrial Park, XieKeng Village, QingXi Town, DongGuan City, GuangDong Province, China

Hong Kong Office: NO.304 3/F Man Tai Hse Tsz Man Est Tsz Wan Shan Kowloon, Hongkong