

product information

Product name: stainless steel child and mother hinge

Product model: RDH-15

Product material: stainless steel

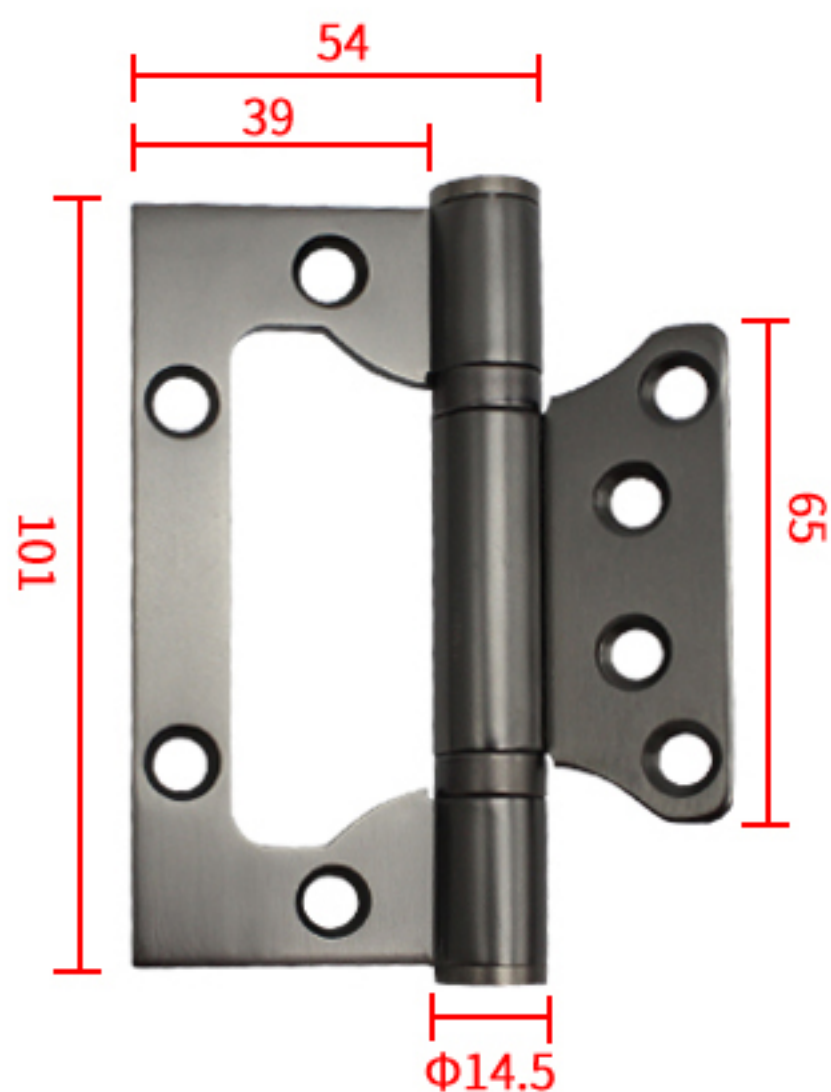
Product surface: SN/Black/BN/Yellowbronze/AB/ AC/ GP

Product specifications: 4 inches 5 inches

Load-bearing: 45-60kg

Applicable door width: $\leq 940\text{mm}$

4 inch hinge size



5 inch hinge size

