

OUTPUT: APPROX 2W~15W

INNER ROTOR

WEIGHT : 220g (APPROX)

● Typical Application 典型应用

● Motor Terminations 电机端口



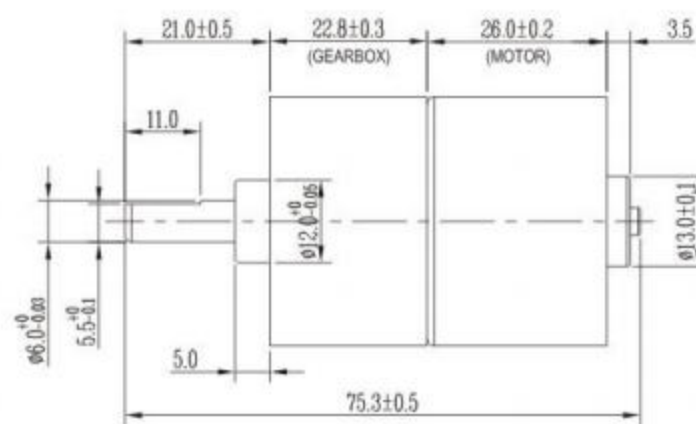
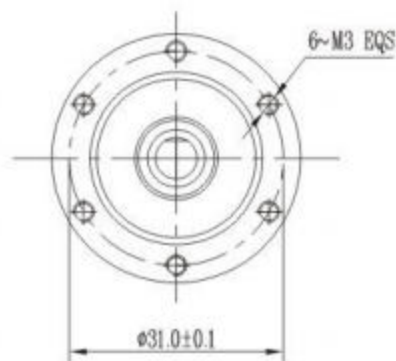
个人护理(Personal Care)
家用电器(Home Application)
电动工具(Power Tools)
商业设备(Business Equipment)
医疗器械(Medical Apparatus)

NO.	PIN ARRANGEMENT
1	VCC
2	FG
3	CW/CCW
4	GND
5	PWM
6	BRAKE

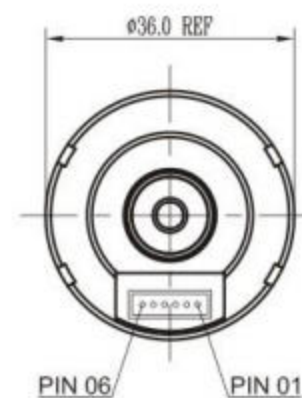
◆ External Dimensions 外形图

DIRECTION OF ROTATION

(CCW) ← (CW)



UNIT: MILLIMETERS

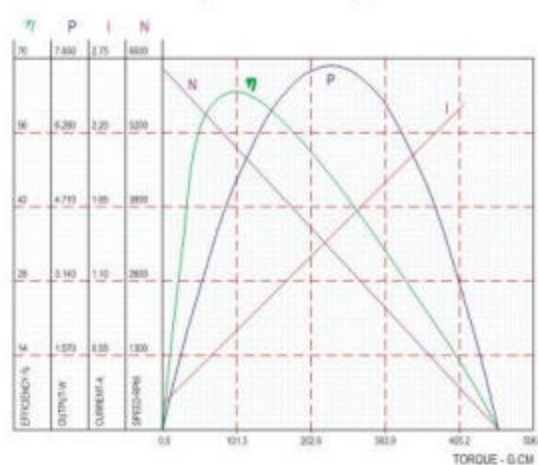


◆ Major Characteristic Parameters 主要特性参数

MODEL	VOLTAGE		NO LOAD		AT MAXIMUM EFFICIENCY				STALL	
	OPERATING RANGE	RATED	SPEED	CURRENT	SPEED	CURRENT	TORQUE	OUTPUT	TORQUE	CURRENT
			r/min	A	r/min	A	N.m	W	N.m	A
DBL3626I-GB-V1	8V~16V	12 V	60	0.15	49	0.638	0.72	4.814	3.79	2.721
DBL3626I-GB-V2	8V~26V	18 V	93	0.124	75	0.504	0.55	5.621	2.88	2.121
DBL3626I-GB-V3	8V~26V	24 V	111	0.112	90	0.456	0.55	6.774	2.91	1.926

◆ Performance Curves 性能曲线

DBL3626I-V1 (Bare Motor) 12 V



DBL3626I-V3 (Bare Motor) 24 V

