



Category

SWITCH

- ANTI-VANDAL SW
- ROCKER SW
- PUSH SW
- TOGGLE SW
- MICRO/DETECTOR SW
- SLIDE SW
- ROTARY SW
- DIP SW
- TACT SW
- LIGHTED TACT SW
- KEYLOCK SW
- CAPACITANCE SW
- PRESSURE SW
- SAFETY & CONTROL SW
- VEHICLE SW
- THERMOSTAT SW
- TRIGGER SW

SOCKET

WIRE HARNESS

BREAKER

FUSE HOLDER

FUSE

ENCODER

INDICATOR

POTENTIOMETER

CONNECTOR

WATERPROOF CONNECTOR

WATERPROOF PARTS

NEW PRODUCT

Products Search



OUR PRODUCT

Home > Our Product > LA139S Series > LA139S Series

SWITCH / SAFETY & CONTROL SW

LA139S Series Panel Mounted Sealed Pushbutton Switches With or Without Illuminated Type

Panel cutout Ø16mm
 SPDT & DPDT circuit
 Momentary & lock version
 Sealed to IP65 or IP40
 Various actuator sizes and styles



ZOOM IN

[PDF Download](#) [Get Information](#)

[Print this page](#)

Feature

- Rating: 0.5A 250VAC, 1A 24VDC
- Emergency stop rating: 3A 125/250VAC
- Contact resistance: 50mΩ initial (Max.)
- Insulation resistance: 100MΩ (Min.)
- Electrical life: 50, 000 cycles
- Mechanical life: 1,000, 000 cycles
- Installed diameter Ø16 mm
- Illuminated & non-illuminated type
- Contact type: 1NO 1NC / 2NO 2NC
- Momentary or lock version
- Protection level: IP65 or IP40
- Applications: industrial control panel, machine and equipment, automotive, power distribution system

Specification

How to order

LA139S -		11	M	T	D	-	XX
CONTACT TYPE		ACTUATOR TYPE		FUNCTION	ILLUMINATED	SUFFIXES	
11	1NO + 1NC SPDT	LAMP / NO LAMP		Momentary	No Lamp	↓	
22	2NO + 2NC DPDT	A Round	F Square	Maintained	Lamp		
		NO LAMP					
		AF	Buzzer (No Function)				
		Z	Emergency Stop				
		XA	Selector (Round)				
		XF	Selector (Square)				
		XCF	Selector (Rectangular)				
		YA	Keylock (Round)				
		YF	Keylock (Square)				
		YCF	Keylock (Rectangular)				

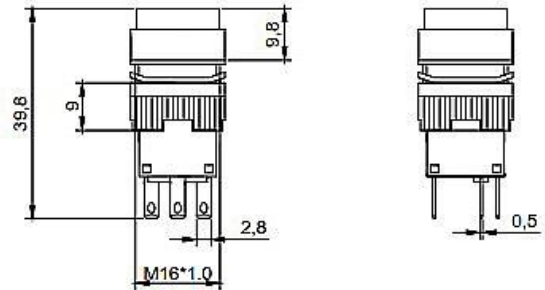
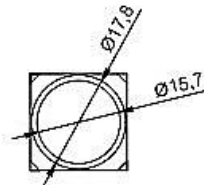


	RED	24V
	ILLUMINATED	
	LENS COLOR	VOLTAGE
	Red	6.3V
	Green	12V
	Yellow	24V
	Blue	48V
	White	110V
		220V
SUFFIXES →		
	90	
	NON-ILLUMINATED	
	ANGLE & POSITION	
	90° 2 Ways	
	45° 3 Ways	
	*For Selector or Keylock Actuator	

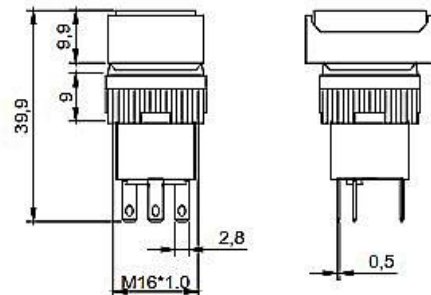
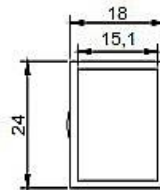
Item



LA139S-11AD

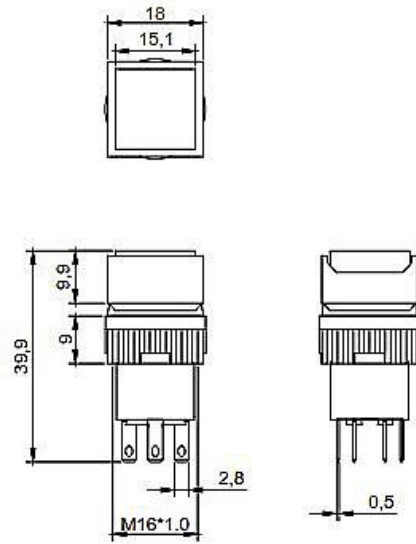


LA139S-11CFD

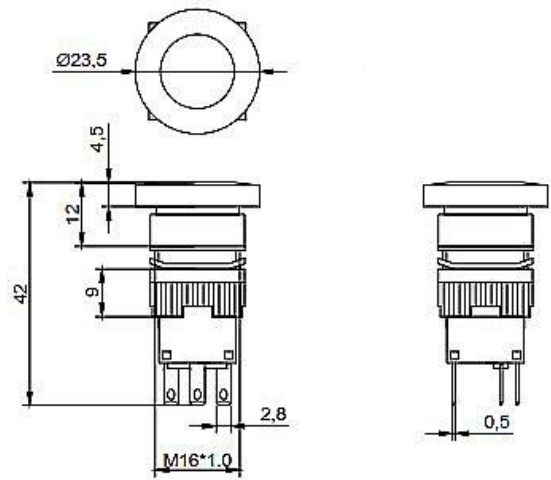




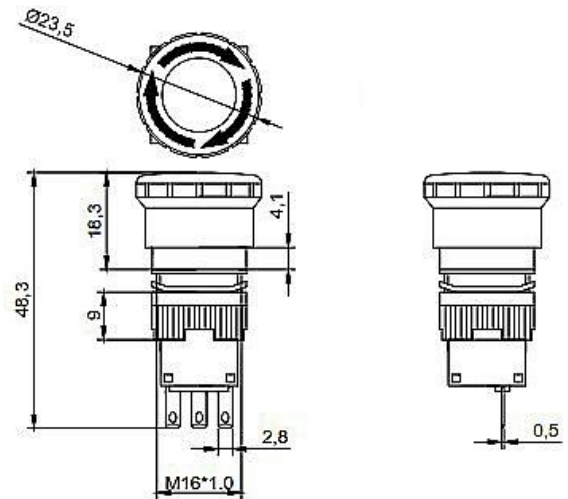
LA139S-22FD



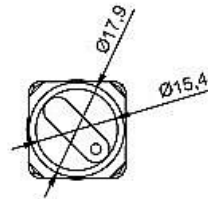
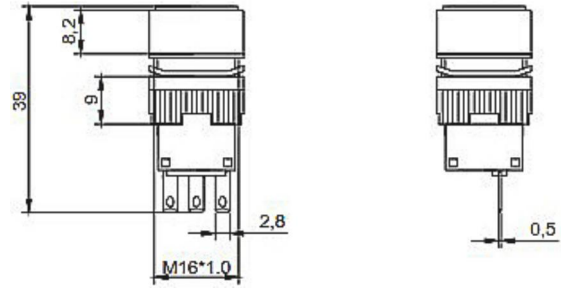
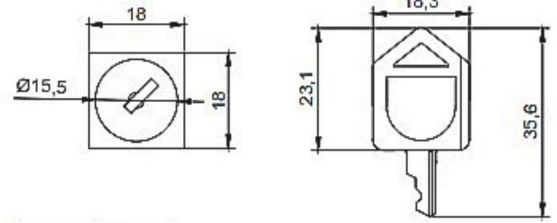
LA139S-11MD



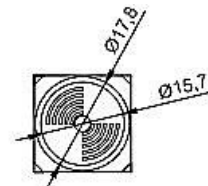
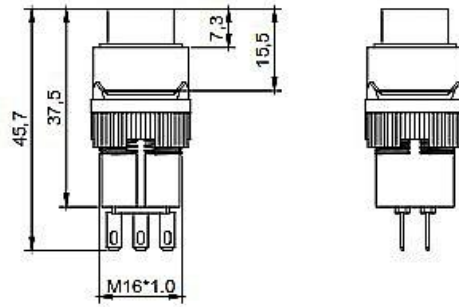
LA139S-11ZS



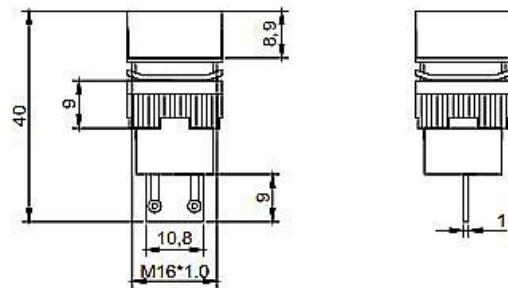
LA139S-11YF



LA139S-22XA



LA139S-AF



BACK



