



TAKFLY COMMUNICATIONS CO., LTD.

Add: Takfly Industrial Park, Longsheng Community, Dalang Street, Longhua District, Shenzhen, 518109, China.

Tel: +86-755-28106528

Fax: +86-755-23777278

4CH, 8CH, 16CH, 18CH CWDM Module



Description

CWDM Mux/Demux Module are based on thin film filter technology. CWDM technology provides the flexibility to increase capacity of existing fiber infrastructure by enabling multiple channels (wavelengths) over the same fiber cabling. Each channel carries data independently from each other, allowing network designers to transport different data rates and protocols for different customers or applications.

CWDM can solve the shortage of fiber and transparent transmission of business, and reduce the cost of network building. With low-cost low power consumption and small compact, it is widely used in metro aggregation and access layer to do transmission on a short time.

Our CWDM Mux/Demux products provide up to 16-channel or even 18-channel Multiplexing on a single fiber. Standard CWDM Mux/Demux package type include: ABS box package, LGX package and 19" 1U rack-mount.

Features

- Low Insertion Loss
- Wide pass band
- High Channel Isolation
- High Stability and reliability

Applications

- CWDM System
- PON Networks
- CATV Links

Performance Specifications

| Parameter | 4 Channel | | 8 Channel | | 16 Channel | | 18 Channel | |
|-----------|-----------|-------|-----------|-------|------------|-------|------------|-------|
| | Mux | Demux | Mux | Demux | Mux | Demux | Mux | Demux |
| | | | | | | | | |



TAKFLY COMMUNICATIONS CO., LTD.

Add: Takfly Industrial Park, Longsheng Community, Dalang Street, Longhua District, Shenzhen, 518109, China.

Tel: +86-755-28106528

Fax: +86-755-23777278

| | | | | | |
|---|--------------|---|------|------|------|
| Channel Wavelength(nm) | | 1270~1610 / 1271~1611 | | | |
| Center wavelength Accuracy(nm) | | ±0.5 | | | |
| Channel Spacing(nm) | | 20 | | | |
| Channel Passband@-0.5dB bandwidth (nm) | | ±7.5 / ±6.5 | | | |
| Insertion Loss(dB) | | ≤1.5 | ≤2.5 | ≤3.5 | ≤4.0 |
| Channel Uniformity(dB) | | ≤0.6 | ≤1.0 | ≤1.5 | ≤1.5 |
| Channel Ripple(dB) | | <0.3 | | | |
| Isolation(dB) | Adjacent | >30 | >30 | >30 | >30 |
| | Non-Adjacent | >40 | >40 | >40 | >40 |
| Insertion Loss Temperature Sensitivity(dB/°C) | | <0.005 | | | |
| Wavelength Temperature Shifting(nm/°C) | | <0.002 | | | |
| Polarization Dependent Loss(dB) | | <0.1 | | | |
| Polarization Mode Dispersion(PS) | | <0.1 | | | |
| Directivity(dB) | | >50 | | | |
| Return Loss (dB) | | >45 | | | |
| Maximum Power Handling(mW) | | 500 | | | |
| Pigtail and Connector Type | COM | 0.9/mm black loose tube with LC UPC/APC connector | | | |
| | Other ports | 0.9/mm white loose tube with LC UPC/APC connector | | | |
| Fiber Type | | SMF-28e | | | |
| Fiber Length (m) | | ≥1 | | | |
| Operating Temperature (°C) | | -5~+75 | | | |
| Storage Temperature (°C) | | -40~85 | | | |
| Package dimension(mm) | | L100 x W80 x H10 (2 CH ~ 8CH ABS Module) L120 x W80 x H18 (9 CH ~ 18CH ABS Module) L141 x W115 x H18 (9 CH ~ 18CH ABS Module) | | | |

Above specification are for device without connector.

Order Information

| CWDM | Channel No. | Channel | Pigtail Type | Fiber length | Connector | Dimension (mm) |
|---------|---------------|---------------|--------------------|--------------|-----------|--------------------|
| M=Mux | 04=4 Channel | 27=1270nm | 0=250um | 1=1m | 0=None | 1= L100 x W80 xH10 |
| D=Demux | 08=8 Channel | 47=1470nm | 1=900um loose tube | 2=1.5m | 1=FC/APC | 2=L140xW100xH15 |
| O=OADM | 16=16 Channel | 49=1490nm | 2=2.0mm | 3=others | 2=FC/PC | 3=19 1U Rack |
| | | | 3=3.0mm | | 3=SC/APC | |
| | N=N Channel | 61=1610nm | | | 4=SC/PC | |
| | | SS=special... | | | 5=ST | |
| | | | | | 6=LC | |

Configuration drawing:

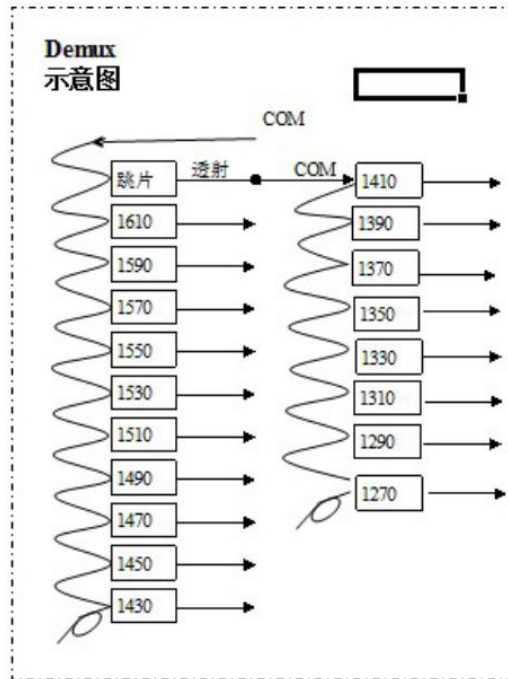
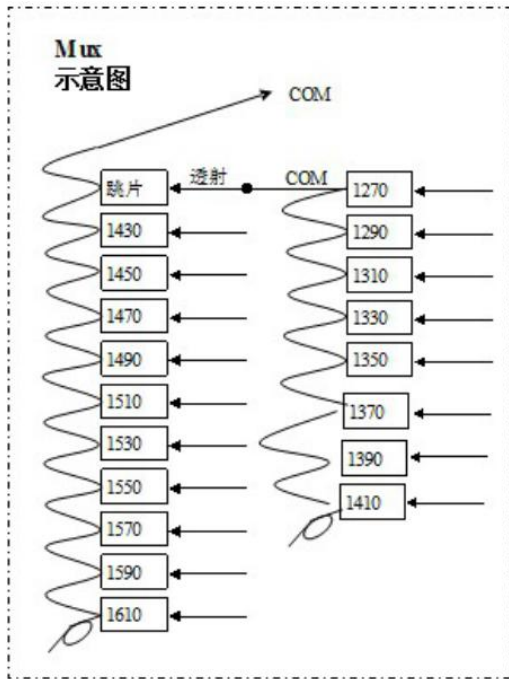


TAKFLY COMMUNICATIONS CO., LTD.

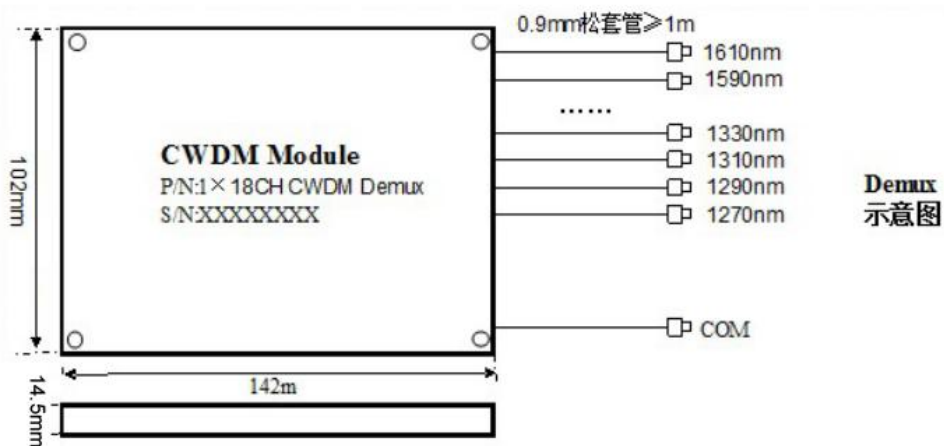
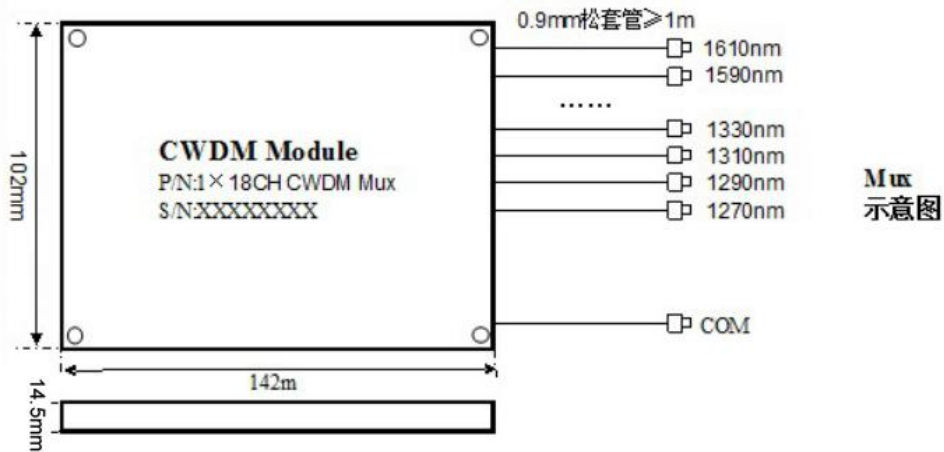
Add: Takfly Industrial Park, Longsheng Community, Dalang Street, Longhua District, Shenzhen, 518109, China.

Tel: +86-755-28106528

Fax: +86-755-23777278



Package Drawing:





TAKFLY COMMUNICATIONS CO., LTD.

Add: Takfly Industrial Park, Longsheng Community, Dalang Street, Longhua District, Shenzhen, 518109, China.

Tel: +86-755-28106528

Fax: +86-755-23777278

