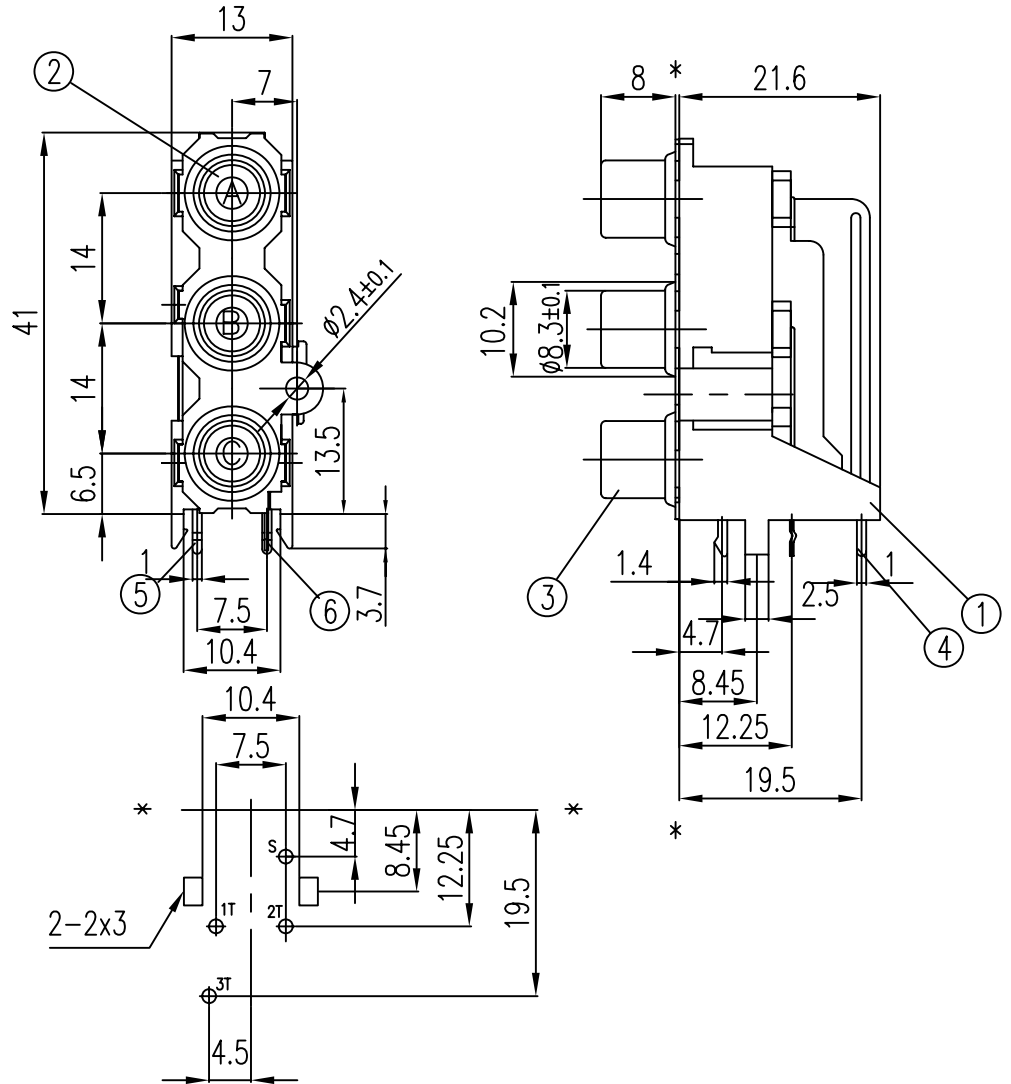


RCAC1-JR47Exxx-04-LF
LEADFREE

RoHS Compliant

6	TERMINAL	1	C2680 t=0.4	MB:Cu Cu/Sn PLATED
5	TERMINAL	1	C2680 t=0.4	MB:Cu Cu/Sn PLATED
4	TERMINAL	1	C2680 t=0.4	MB:Cu Cu/Sn PLATED
3	OUTER CONTACT	1	C2680 t=0.4	MB:Cu Cu/Sn PLATED
2	WASHER	3	PBT	UL-94V0
1	HOUSING	1	PBT	UL-94V0
LTR	PART NAME	QTY	MATERIAL	REMARK



UNLESS OTHERWISE SPECIFIED, TOLERANCE ON DECIMAL: ±0.3

MORETHANALL
CONNECTORS
ASSEMBLIES

PART NO. RCAC1-JR47Exxx-04

DWG NO. RCAC1-JR47Exxx-04

FILE NO.

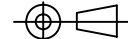
UNIT / mm

SCALE 1:1

CHECKED BY CY

DRAWING BY

PROJECTION



TOLERANCES ARE

.X ± 0.2
.XX ±
.XXX ±
AWG

DESCRIPTION:

PIN JACK

AREA

REVISIONS

HK

DATE

焯倫股份有限公司