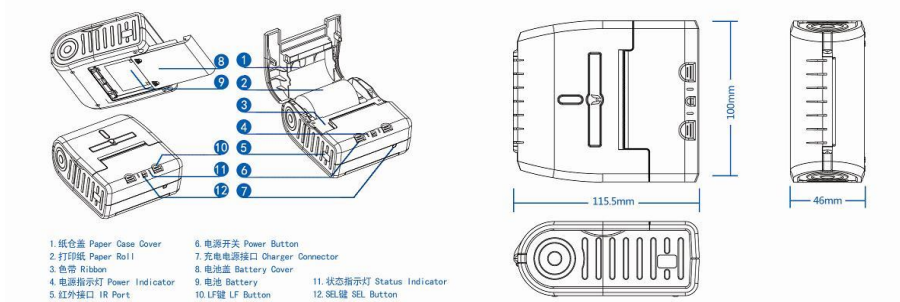


1.1 Features

M06



Stylish, delicate and elegant appearance

Conform to human engineering, easy for hand-hold.

Abundant interfaces, strong expansibility, support RS232,USB,Bluetooth,WIFI, IrDA

Low power consumption design, high-capacity battery, support long time printing

Download any kinds of dots character sets, automatic recognition of device

Compatible with ESC/POS command set, more characters style setting commands

High speed printing mode

Item	Specification
Printing method	Dot matrix printing method
Paper width	57 mm
Print width	48 mm
resolution ration	5 dots/mm (144 dots/line / 240 dots/line)
Life of print head	1,500,000 character line
Printing speed	9mm/sec /5.5mm/sec (when utilization rate is 25%)
Recharger	Input AC 100-240V,1.0A; Output DC8.4V,1.2A
Battery	DC7.4V(8.4V-6.8V),1800mAh
Recharge time	2.5 hours

outline dimension(WxHxD mm)	111.5mmx106mmx46mm
Paper supplied	Plain roll paper (57mm wide, 40mmø)
Interface	Serial(RS-232C) /Bluetooth/IrDA/ protocol IrDA
ambient temperature	Printer -10°C ~ 50°C (14°F ~ 122°F)
ambient temperature	Battery 0°C ~ 40°C (32°F ~ 104°F)
ambient humidity	Printer 10% ~ 80%
ambient humidity	Battery 10% ~ 90%