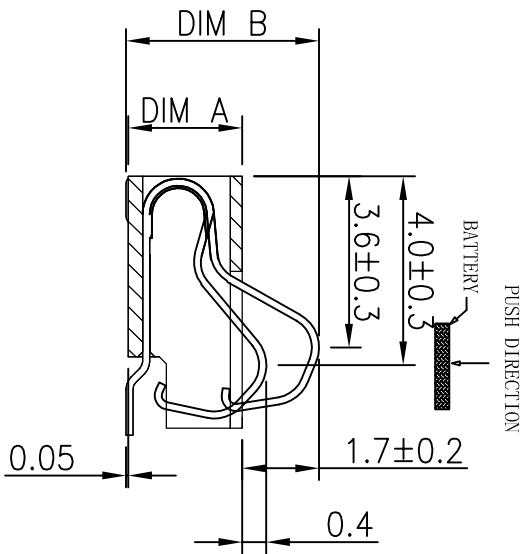


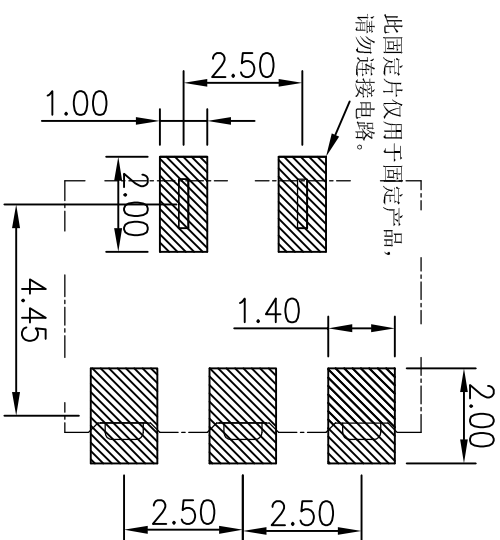
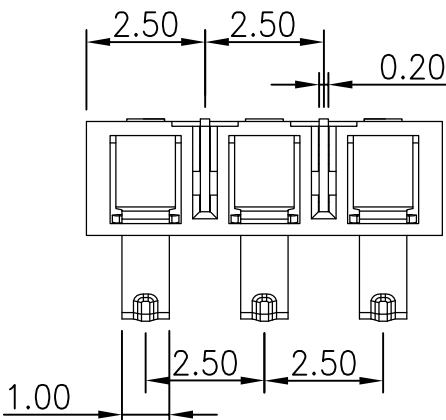
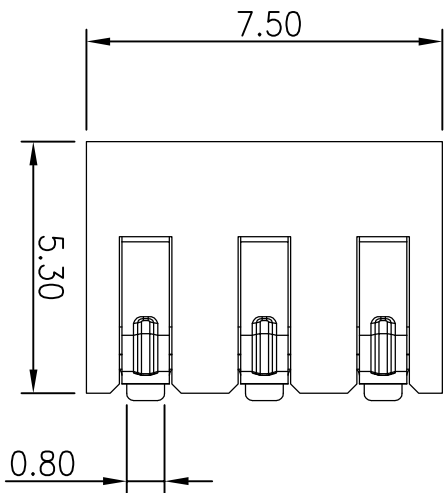


CAD FILE:

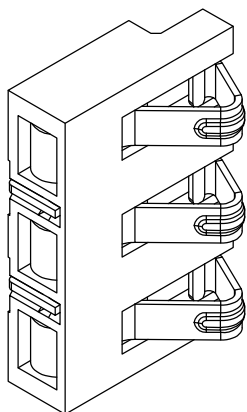


(WORKING POSITION)

PART NO.	DIM A	DIM B
BC-35-3P240F	2.4	4.10±0.2
BC-35-3P300F	3.0	4.70±0.2
BC-35-3P350F	3.5	5.20±0.2



RECOMMENDED PCB LAYOUT  
TOP VIEW (.XX±0.05)



8																			
7																			
6																			
5																			
4																			
3																			
2	TERMINAL	BRONZE	3	AU PLATED															
1	HOUSING	LOP	1	BLACK															
NO.	DESCRIPTION	MATERIAL	QTY	PLATING															
					TOLERANCE UNLESS SPECIFIED														
					WITHIN 1.5; ±0.1mm OVER 1.5; ±0.2mm ANGLES: ±2°														
					ISSUE	DATE					DESCRIPTIONS								
					TITLE: BATTERY HOLDER					UNIT: mm									
					MODEL NO: BC-35-300F					SCALE: 4:1									
					DONGGUAN JINBAOLI ELECTRONICS CO., LTD					DRAWG. NO.									
										DWG									
										CHK: D									
										APPD.									
										YINQONG									
										ZHENGZHIHUI									
										LILIANJUN									