



蜂鸣片
Piezo element

压电蜂鸣器
Piezo buzzer

电磁蜂鸣器
Magnetic buzzer

微型喇叭
Micro speaker

微孔雾化片
Piezo mesh atomizer

玻璃釉雾化片
Piezo ceramic atomizer

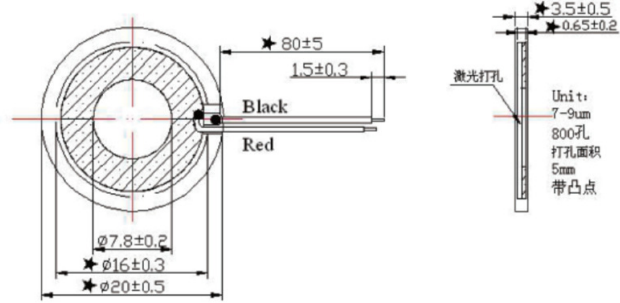
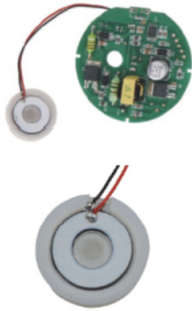
压电换能片
Piezo transducer

超声波传感器
Ultrasonic transducer



Piezo mesh atomizer

压电微孔雾化片



ATC16-0108SDW

类型 Code	型号 Part numbering	尺寸 Dimensions(mm)		特性 Characteristics	
		D	T	Fr(KHz)±0.5	Am (ml/H)
D13.8-F155	ATC13.8-0135SDWD	13.8	0.55	155.0	80 ~ 150
D16-F108	ATC16-0108SDWCV	16.0	0.70	108.0	80 ~ 150
D20-F110	ATC20-0110SDWH	20.0	0.75	110.0	80 ~ 150
D25-F110	ATC25-0108SDA	25.0	0.75	108.0	80 ~ 150

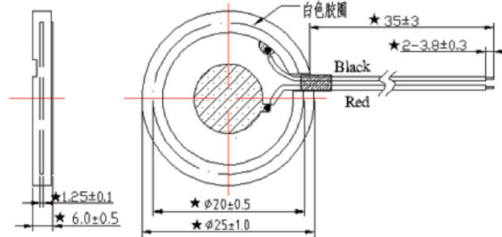
表格说明 Explain for above table:

【D】 short for Diameter, refer to the overall dimension. Unit:mm.

【T】 short for Thicknees, refer to total thicknees. Unit:mm.

Piezo ceramic atomizer

压电釉面雾化片



ATD20-1700GS

类型 Code (直径+频率) (Diameter + Frequency)	型号 Part number	尺寸 Dimensions(mm)		特性 Characteristics	
		D	T	Fr(KHz) ±0.5	Am (ml/H)
D16-F1700	ATD16-1700GSWAF	16.0	1.20	1700	100~200
D16-F2430	ATD16-2400GSWQ	16.0	0.85	2400	100~200
D16-F3000	ATD16-3000GSWQ	16.0	0.68	3000	50~100
D20-F1700	ATD20-1700GSWMA	20.0	1.20	1700	150~300
D20-F2400	ATD20-2400GSWV	20.0	0.83	2400	150~300
D25-F1700	ATD25-1700GSWV	25.0	1.20	1700	200~400
D25-F2400	ATD25-2400GSWF	25.0	0.85	2400	200~400

表格说明 Explain for above table:

[D] short for Diameter, refer to the overall dimension. Unit:mm.

[T] short for Thickness, refer to total thickness. Unit:mm.