



## YUHUAN HEAPE VALVE CO.,LTD.

### 燃气阀 HPNR81

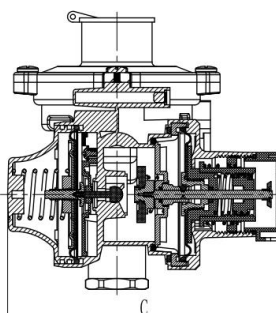
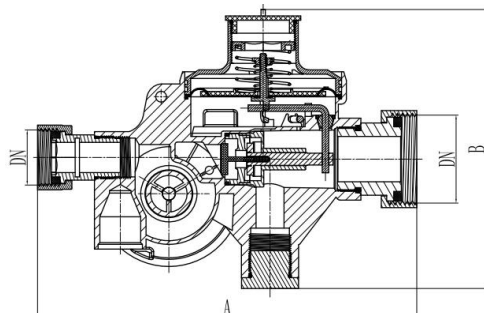
产品概述:

二级调压燃气自闭阀工作领域: 二级调压燃气自闭阀通过两级调压确保燃气压力稳定, 并通过压力、流量或温度感应实现自动切断功能, 由人工开启在故障未排除前始终保持燃气在关闭状态, 保障燃气系统的安全运行, 确保用户的安全

- 第一级 (主调压级): 负责处理大部分的压力降, 对气流的冲击和压力变化进行初步缓冲与调节。这些调节器将燃气管线内压力降低至所需水平, 提高能源效率并确保系统安全。
- 第二级 (精确调压级/监控级): 对经过第一级调节后的压力进行微调与精确控制, 确保出口压力高度稳定。这种双重保障设计大大提升了调压的精度、可靠性和安全性。



	A	B	C	进口DN	出口DN
HPNR81	177	129	127	G3/4"	G1-1/4"



#### Technical Data

最大承受压力: 6bar

Intlet P/进口压力范围: 0.5-5bar

Outlet P/出口压力范围: 1.8-2.5kpa

DN-接口尺寸: DN20xDN32

Temp/工作温度范围: -20°C+60°C

AC/稳压精度等级: 15

SG/关闭压力等级: 25

SZ/关闭压力区等级: 20

SZP<sub>2</sub>/关闭压力区等级: 20

高压切断压力: 4.1-5.7kpa

超流切断压力: 0.8-1.2kpa

ES/依据标准: GB 27790-2020 城镇燃气调压器



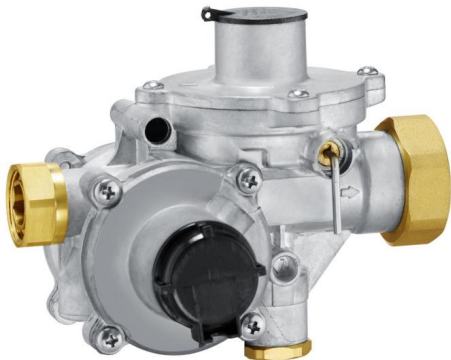
## YUHUAN HEAPE VALVE CO.,LTD.

### Gas pressure regulator HPNR81

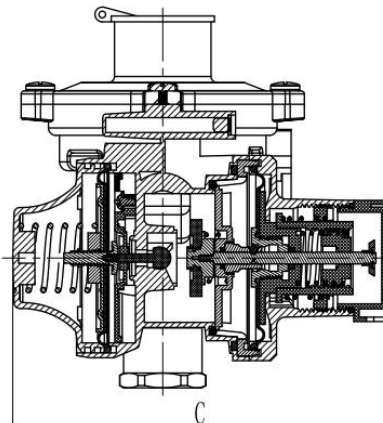
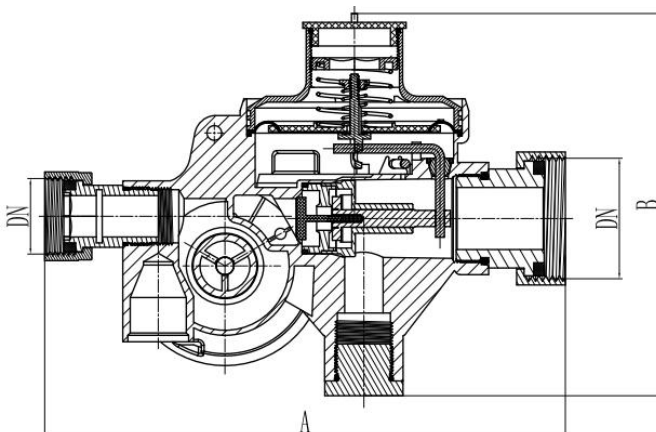
Product Overview:

Working Scope of the Two-Stage Pressure Regulating Gas Shut-Off Valve:  
The two-stage pressure regulating gas shut-off valve ensures stable gas pressure through two levels of regulation and achieves automatic shut-off based on pressure, flow, or temperature sensing. It is manually reopened and maintains the gas in a closed state until any fault is cleared, ensuring the safe operation of the gas system and user safety.

- First Stage (Main Pressure Regulating Stage): Responsible for most of the pressure drop, it provides initial buffering and adjustment against the impact and pressure fluctuations of the gas flow. These regulators reduce the pressure in the gas pipeline to the required level, improving energy efficiency and ensuring system safety.
- Second Stage (Precision Pressure Regulating/Monitoring Stage): Provides fine-tuning and precise control of the pressure after the first-stage regulation, ensuring highly stable outlet pressure. This dual protection design greatly enhances the accuracy, reliability, and safety of pressure regulation.



	A	B	C	Import DN	Export DN
HPNR81	177	129	127	G3/4"	G1-1/4"



#### Technical Data

Maximum Pressure Tolerance: 6bar

Inlet P/Inlet Pressure Range: 0.5-5bar

Outlet P/Outlet Pressure Range: 1.8-2.5kpa

DN-Interface size: DN20xDN32

Temp/Operating temperature range: -20°C+60°C

AC/Voltage Regulation Accuracy Class: 15

SG/Turn off pressure level: 25

SZ/Turn off pressure zone level:20

SZp2/Turn off pressure zone level:20

High-pressure cutoff pressure: 4.1-5.7kpa

Superfluid Cut-off Pressure: 0.8-1.2kpa

ES/According to the standard: GB 27790-2020 Urban Gas Pressure Regulator