



## Product Specification

CE/RoHS  
Compliant

### KDS-14P-4.0EC Piezo Sounder (External Drive)

KDS series products of piezoelectric passive buzzer consist of piezoelectric element and resonant chamber shell, driven by external circuit to produce sound.

#### ■ Features

1. Low power consumption;
2. Bottom cover sealed applicable for PCB filling process;
3. Applicable to wave soldering assembly;
4. No electromagnetic interference and radio frequency interference.

#### ■ Applications:

Sound feedback response to operation or input for

\*various office equipment such as printers and keyboards;

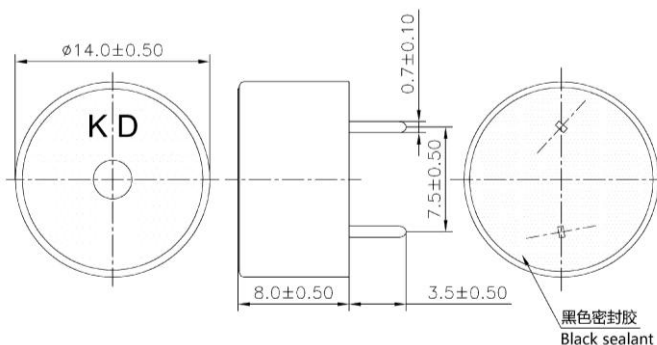
\*various household appliances such as microwave ovens, air conditioners, electromagnetic ovens, washing machines and small household appliances;

\*communication equipment, computer peripheral equipment, etc.

#### ■ Specifications

No	Model No.	KDS-14P-4.0EC
1	Sound Pressure Level	85dB min. at 4.0kHz 5Vp-p Square Wave/10cm
2	Resonant Frequency	4.0kHz
3	Static capacitance	12.0nF $\pm$ 30% at 100Hz
4	Rated Voltage	30Vp-p max
5	Operating Temperature	-20°C $\sim$ +70°C
6	Storage Temperature	-30°C $\sim$ +80°C
7	Case Material:	PBT(Black)
8	Weight	1.3 g

#### ■ Dimension Drawing ( mm )



#### ■ Frequency Curve

