

EC03双玻组件边连接器

EC03 Glass To Glass Edge Connector

产品规格

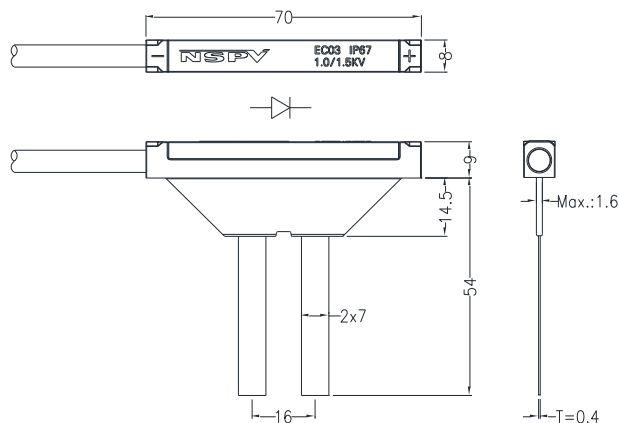
Product Specifications

接线盒本体材料 BOX Material	PA/CU	阻燃等级 Flame Class	UL94-V0
额定电流 Rated current	Max.15A(Diode 20A)	环境温度范围 Ambient temperature range	-40℃...+85℃(IEC)
额定电压 Rated voltage	1000V&1500VDC	适配电线规格 Suitable cable cross sections	2.5~4mm ² /14~12AWG
测试电压 Test voltage	8kV(50Hz,1min)	二极管数量 Diode Number	Each 1PC
连接器接触电阻 Typical contact resistance	≤ 0.25mΩ	温度上限 Upper limiting temperature	120℃(IEC)
金属导体材料 Contact material	铜,镀锡 Copper,Tin plated	电缆外径 Range of cable gland(mm)	O.D.:5.5
保护等级 Degree of protection	IP67(In potting)	汇流条尺寸 Ribbons size(mm)	2x7.0
安全等级 Safety degree	II	汇流条连接 Connection of bus ribbons	焊接 Soldering

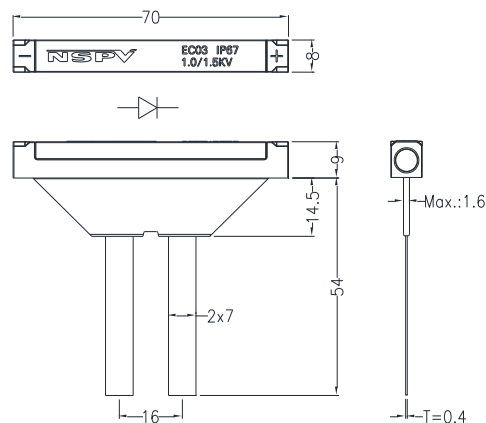
图示:

Drawing:

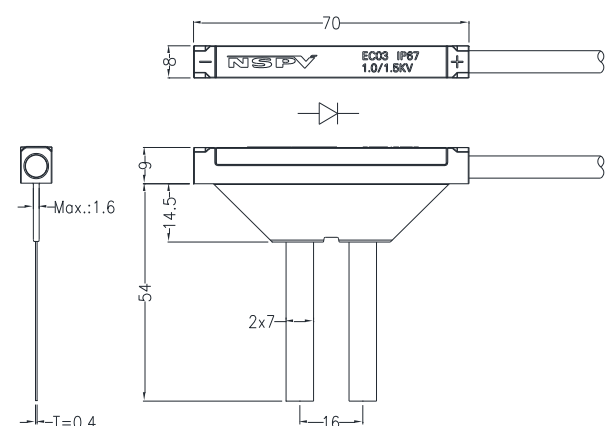
Edge Negative:EC03P-xx



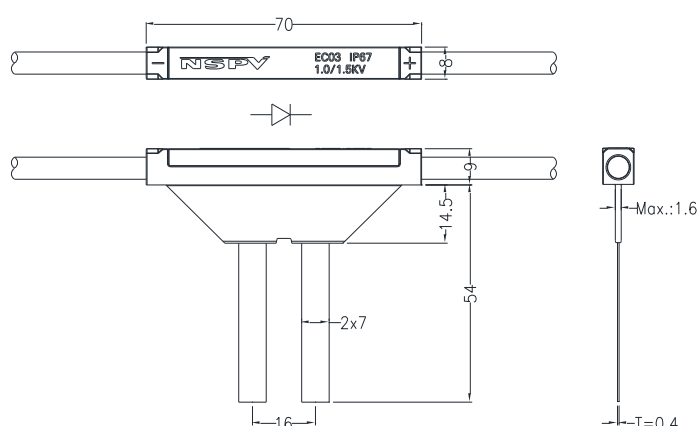
Edge Middle:EC03M_xx



Edge Positive:EC03P-xx



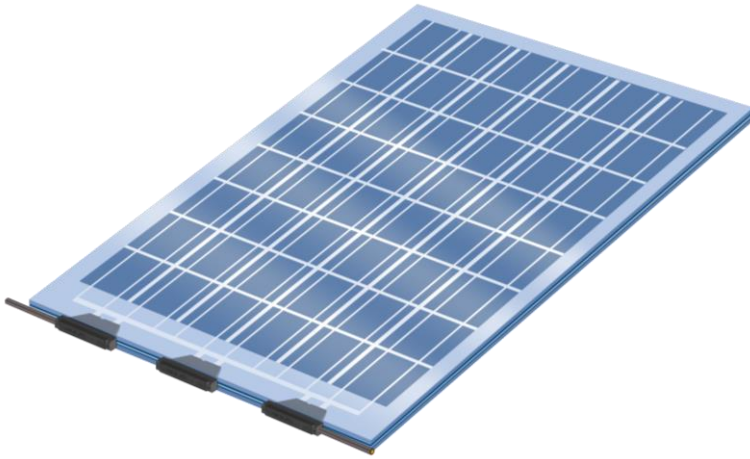
Edge Middle with Twin Cable:EC03MT_xx



应用:

Application:

Type1:1:1



Type2:0:1

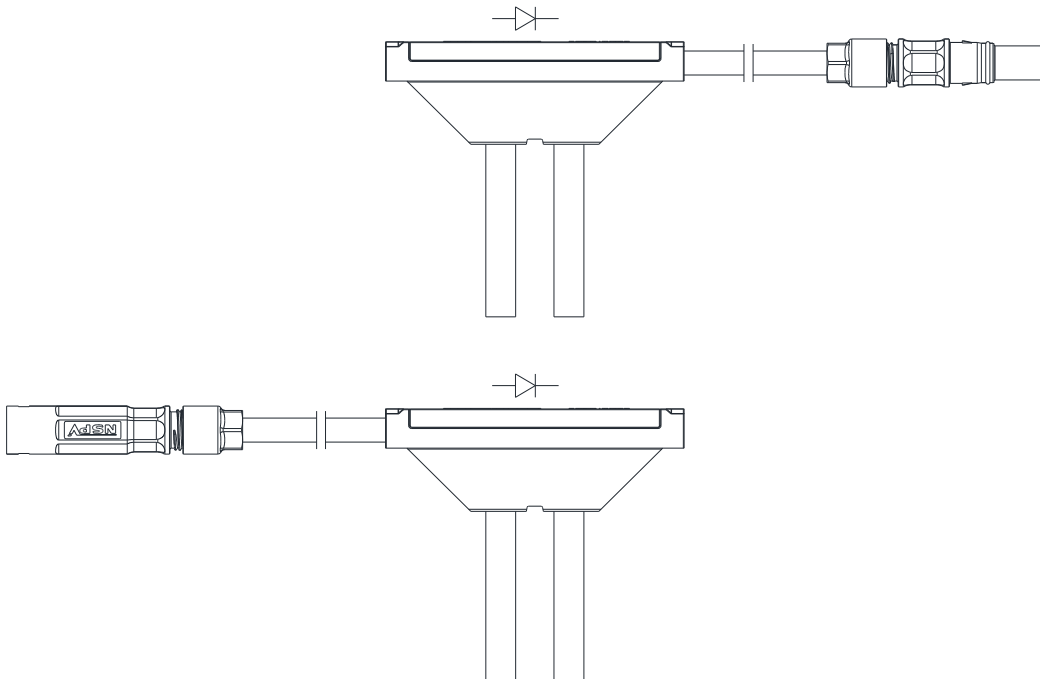


Type3:Both side with cable

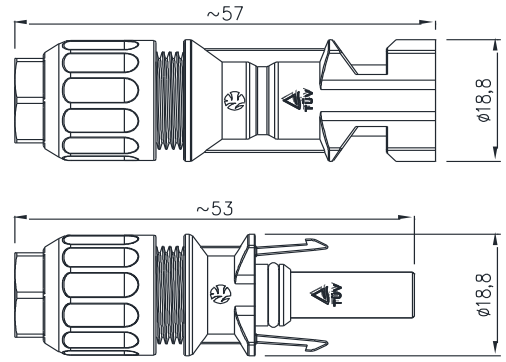


连接器的搭配参考

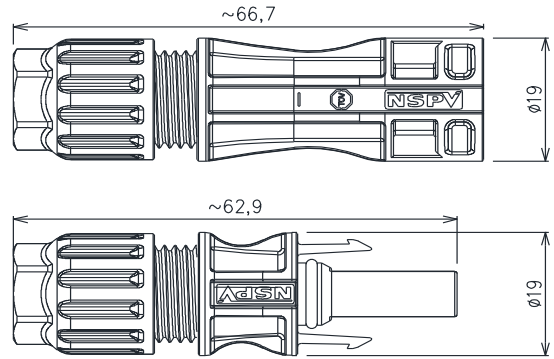
Reference Connector Selection



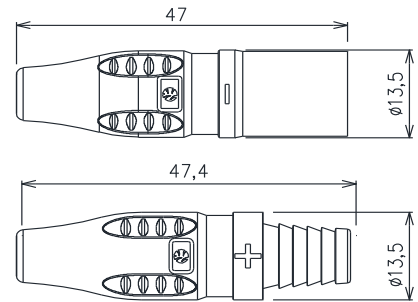
Newsun 1000VDC cable connector:



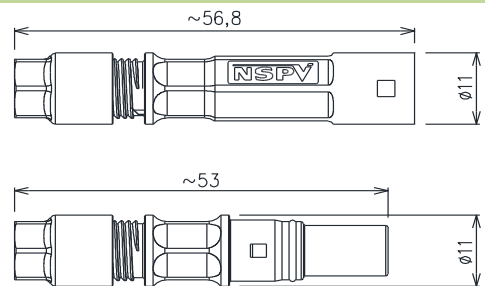
Newsun 1500VDC cable connector:



Newsun 1000VDC PV3.0 cable connector:



Newsun 1000VDC Mini cable connector:



MC4/EVO cable connector

