



Category

SWITCH

- ANTI-VANDAL SW
- ROCKER SW
- PUSH SW
- TOGGLE SW
- MICRO/DETECTOR SW
- SLIDE SW
- ROTARY SW
- DIP SW
- TACT SW
- LIGHTED TACT SW
- KEYLOCK SW
- CAPACITANCE SW
- PRESSURE SW
- SAFETY & CONTROL SW
- VEHICLE SW
- THERMOSTAT SW
- TRIGGER SW
- BATTERY SW
- CK series
- MR2 Series with Aesthetic Design

SOCKET

WIRE HARNESS

BREAKER

FUSE HOLDER

FUSE

ENCODER

INDICATOR

POTENTIOMETER

CONNECTOR

WATERPROOF PARTS

NEW PRODUCT

Products Search

Search input field with a search button



OUR PRODUCT

Home > Our Product > EMDS > EMDS

SWITCH / MICRO/DETECTOR SW

EMDS Ultra-miniature, Micro-miniature & Compact Detector Switches

SMT, through-hole and screw-mounting versions
 In a variety of sizes and shapes
 Various actuator orientations with vertical or horizontal, top or side
 Low current, occupy less space and higher life cycles



ZOOM IN

PDF Download Get Information

Print this page

Feature

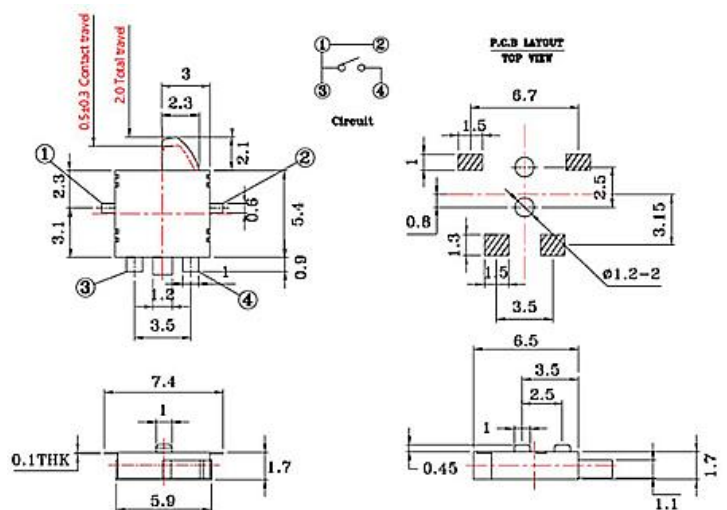
Rating:

- Rating: DC 12V, 50mA, DC 12V 0.1A, DC12V 0.3A
- Contact Resistance : 100mΩ max.
- Insulation Resistance : 50MΩ (at DC 250V) min.
- Dielectric Resistance : For 1 minute (AC 250V)
- Electrical Life: 50,000 cycles min.

Application:

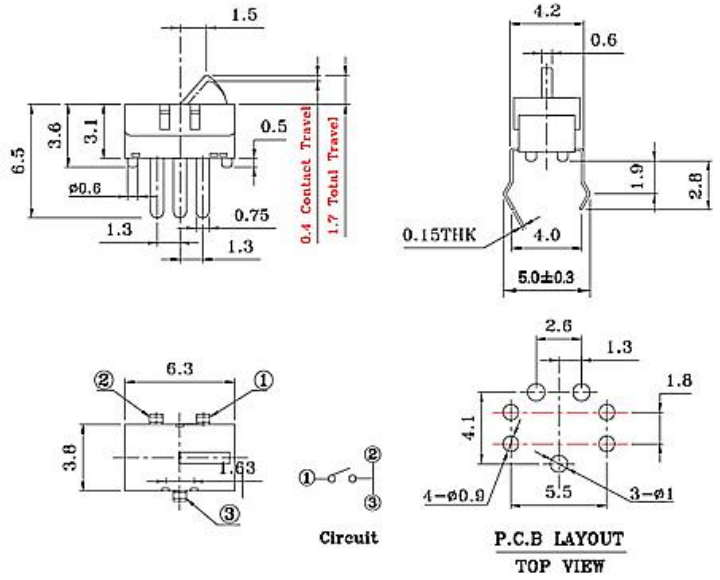
- Consumer electronics, audio/visual equipment
- Automotive sensor
- Industrial sensors, automation equipment
- Security/Safety controls
- Computer/Services
- Telecommunications equipment
- Medical devices

Specification

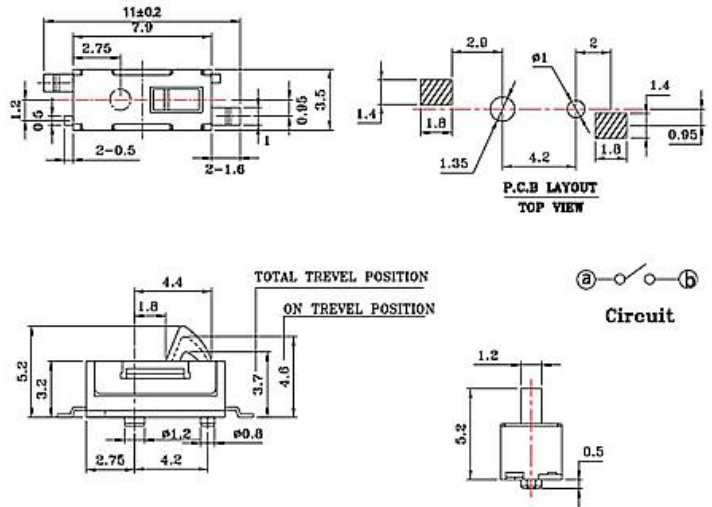




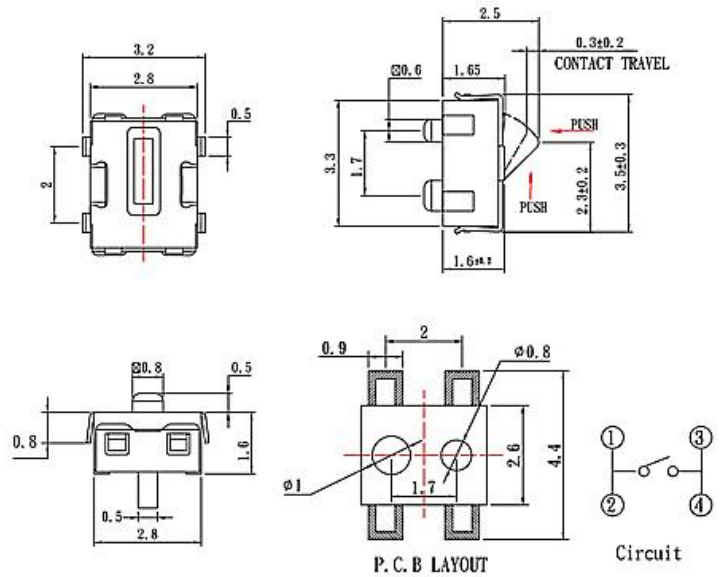
EMDS-11D15



EMDS-1901S

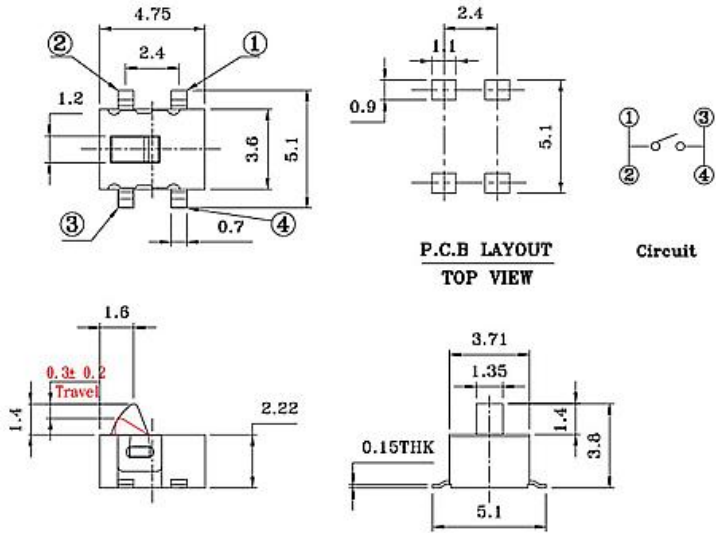


EMDS-234MN-E

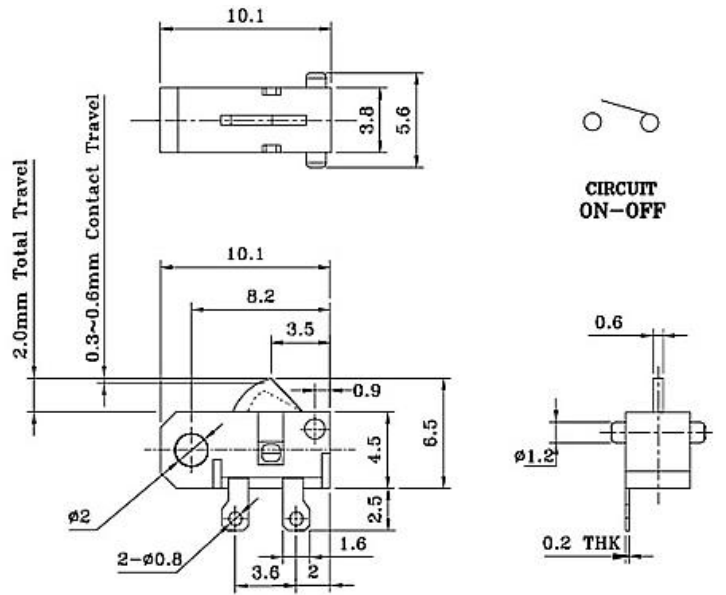




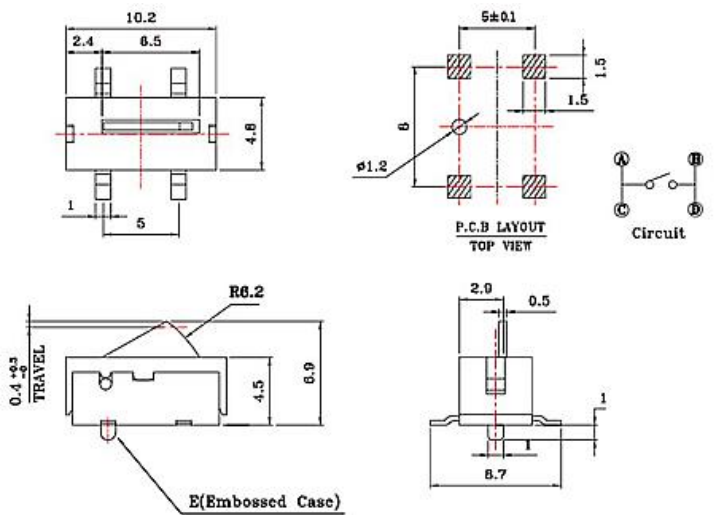
EMDS-264



EMDS-204



EMDS-115S-E



BACK



5F., No.10, Lane 218, Sec. 2, Zhongxing Rd., Xindian Dist., New Taipei City 23146, R. O. C.

Tel: +886-2-29161263 Fax: +886-2-29117574 canal@c-components.com.tw

©2009 Canal Components Inc. All Rights Reserved