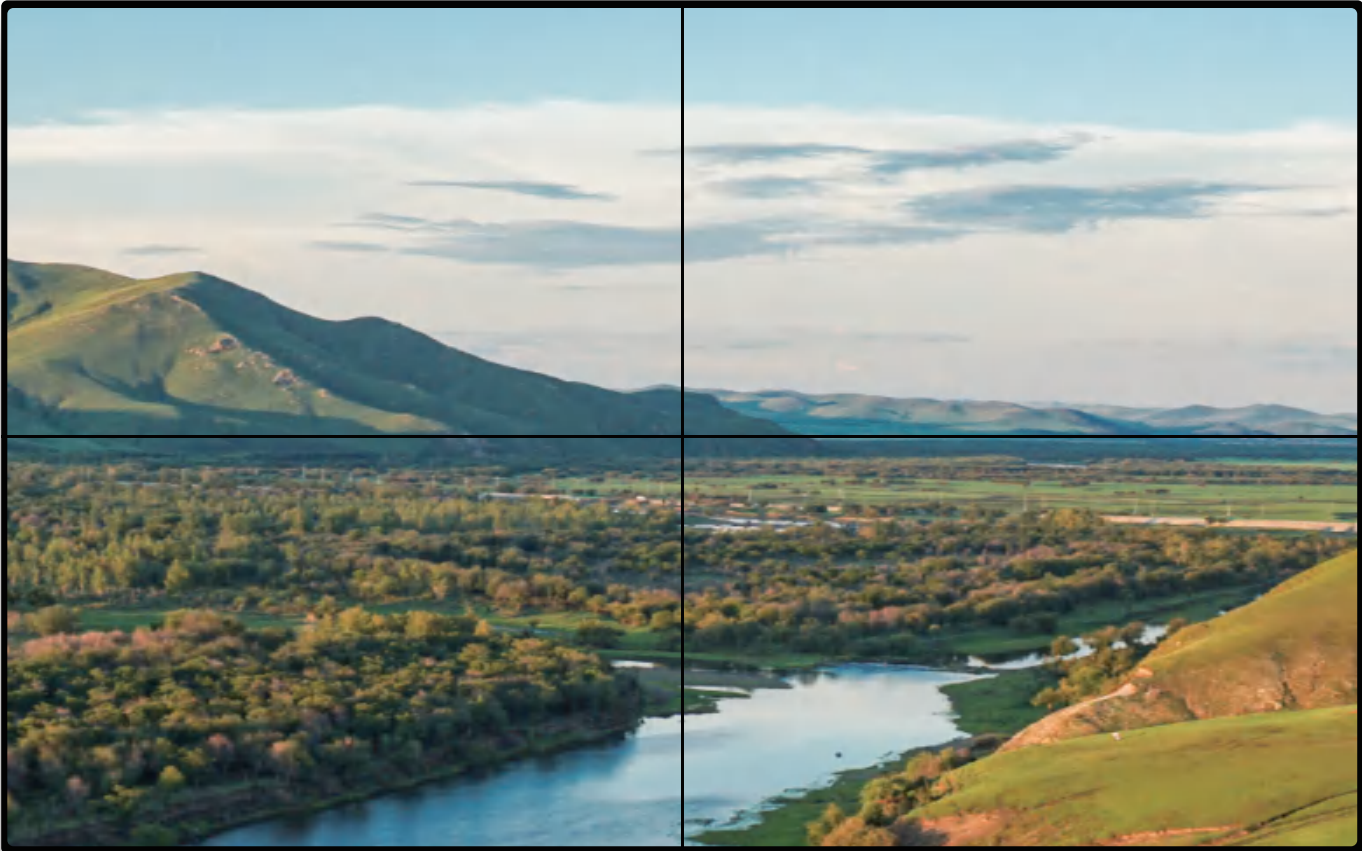
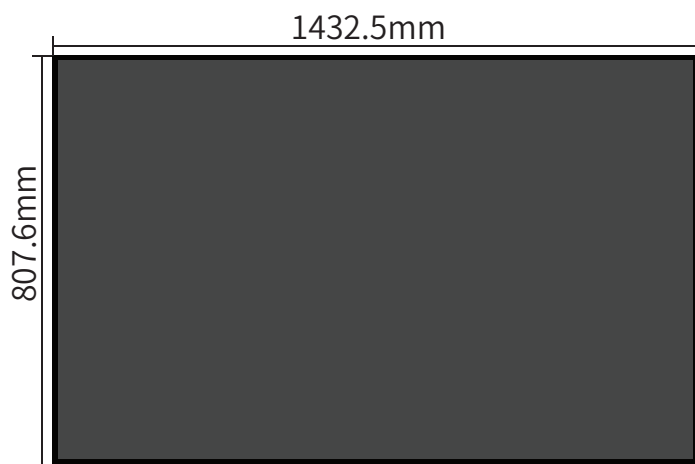
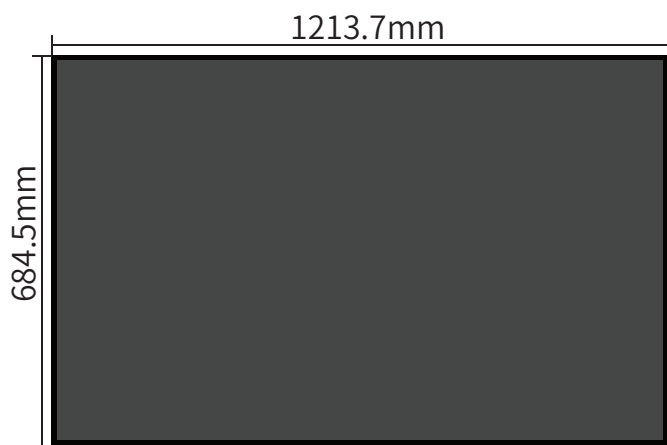
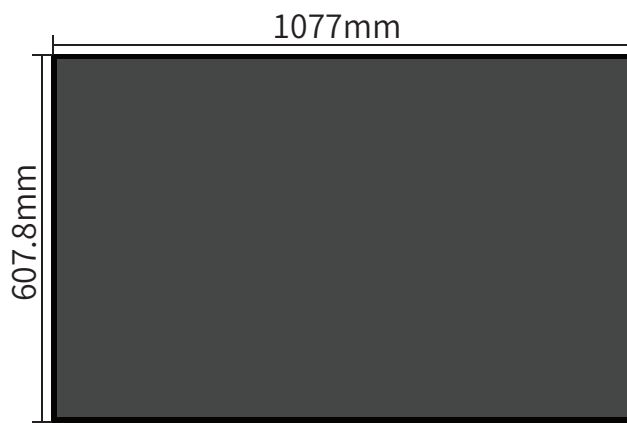
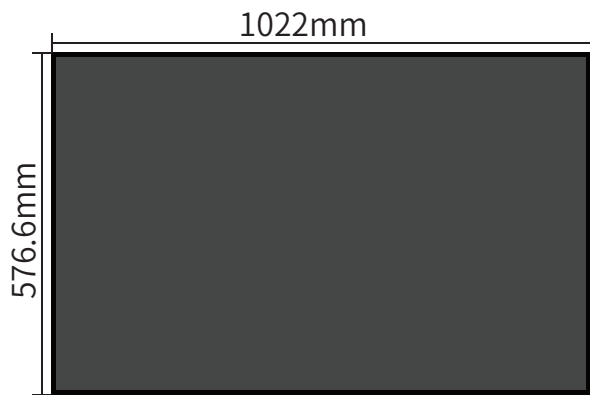


\_\_\_\_\_



# PRODUCT SIZE



# PRODUCT PARAMETER

| Description         | 46-inch   |               |               | 49-inch         | 55-inch         |                 |                   | 65-inch         |
|---------------------|---|---------------|---------------|-----------------|-----------------|-----------------|-------------------|-----------------|
| Bezel               | 3.5mm   | 1.7mm         | 0.88mm        | 3.5mm           | 3.5mm           | 0.88mm          | 1.7mm             | 3.5mm           |
| Size of screen      | 1022x576.6 mm   | 1020x574.6 mm | 1019x573.6 mm | 1077.6x607.8 mm | 1213.7x684.5 mm | 1211.5x682.3 mm | 1210.51x681.22 mm | 1432.5*807.6 mm |
| Resolution          | 1920*1080   |               |               |                 |                 |                 |                   | 1920*1080       |
| Frequency           | 60Hz  |               |               |                 |                 |                 |                   |                 |
| Contrast ratio      | 4000:1  | 4000:1        | 4000:1        | 4000:1          | 3000:1          | 3000:1          | 3000:1            | 3000:1          |
| Color saturation    | 97%   |               |               |                 |                 |                 |                   |                 |
| Brightness          | 500cd/m2  |               |               |                 |                 |                 |                   |                 |
| Display color       | 16.7M   |               |               |                 |                 |                 |                   |                 |
| Viewing angle       | 1780  |               |               |                 |                 |                 |                   |                 |
| Port                | AV , VGA, DVI, HDMI, BNC  |               |               |                 |                 |                 |                   |                 |
| Working temperature | 0℃ -50℃   |               |               |                 |                 |                 |                   |                 |
| Working humidity    | 20%-80%   |               |               |                 |                 |                 |                   |                 |
| Power               | AC100-240V, 50/60HZ   |               |               |                 |                 |                 |                   |                 |
| Shelf life          | ≥60000H   |               |               |                 |                 |                 |                   |                 |
| Control signal type | RS232   |               |               |                 |                 |                 |                   |                 |
| Start time          | ≤8ms  |               |               |                 |                 |                 |                   |                 |
| Response time       | 2ms   |               |               |                 |                 |                 |                   |                 |
| Image ratio         | 16:9  |               |               |                 |                 |                 |                   |                 |
| Cover material      | Full metal shell, anti-static, anti-magnetic field, anti-interference from strong electricity |               |               |                 |                 |                 |                   |                 |
| Image ratio         | about 22kg  | about 22kg    | about 22kg    | about 25kg      | about 32kg      | about 32kg      | about 32kg        | about 52kg      |
| Backlight           | Straight down LED   |               |               |                 |                 |                 |                   |                 |
| Installation        | Cabinet, Wall-mounted, Movable type, etc  |               |               |                 |                 |                 |                   |                 |

# INSTALLATION METHOD





