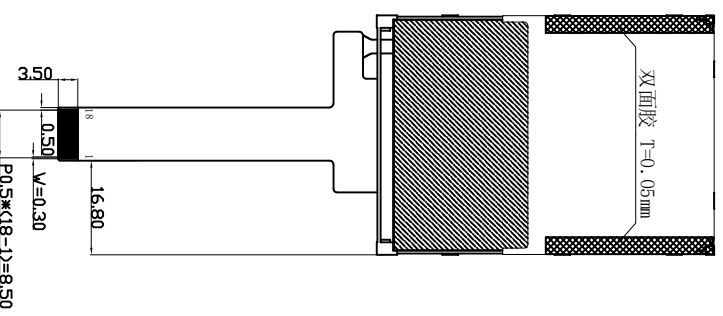
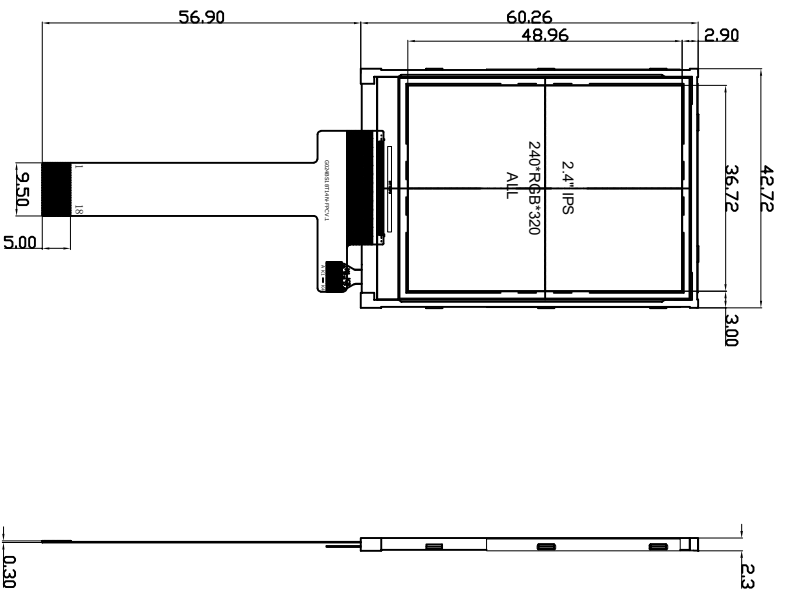


Rev.	Revision content description	Date
V0	First Issue	2024-06-13
V1	增加IC BLU	2024-08-26



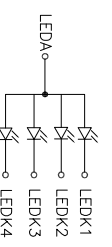
PIN DESCRIPTION

No.	Pin Define
01	VCC
02	DB7
03	DB6
04	DB5
05	DB4
06	DB3
07	DB2
08	DB1
09	DB0
10	RD
11	WR
12	RS
13	CS
14	RESET
15	TE
16	LED-A
17	LED-K
18	GND



- NOTES:
1. DISPLAY MODE: 2.4" TFT LCD, Transmissive
 2. DRIVER IC: ST7789
 3. VIEWING DIRECTION: ALL 0° CLOCK
 4. BACKLIGHT: 4 CHIP-WHITE LED, IF=80mA, VF=3.2V
BRIGHTNESS=300 CD/M2 (TYPE)
 5. OPERATING TEMPERATURE: -20°C TO 70°C
STORAGE TEMPERATURE: -30°C TO 80°C
 6. GENERAL TOLERANCE: ±0.20

LED CIRCUIT DIAGRAM



CUSTOMER APPROVE

GOOD LIGHT INTERNATIONAL CO., LTD.

LCD MODULE	PRODUCT NO.	FILE NAME	REV
	TW02402L	LCM	V1
TOLERANCE: DECIMAL	DESIGNED: ZMY	CHECKED:	
1.X ± .30 2.XX ± .20 ANG ± 1/4°	VERIFIED:	APPROVED:	
	NOT IN SCALE	UNIT:mm	SHEET: 1/1