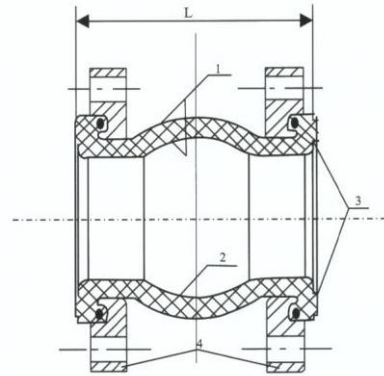


JGD-WY British Standard Rubber Joint



Material of Components		
NO.	NAME	Material
1	Inner and outer rubber	NR,EPDM,NBR
2	Key frame	Nylon Cord Fabric
3	Pressurized Ring	Steel Wire Strand
4	Flange	Q235

Technical Conditions			
Size	I	II	III
Working Pressure MPa(Kgf/cm ²)	1(10)	1.6(16)	2.5(25)
Explosion Pressure MPa(Kgf/cm ²)	3.0(30)	4.8(48)	5.5(55)
Vacuum KPa(mmHg)	53.3(400)	86.7(650)	100(750)
Temperature	-15--115special customer made could reach to -30--250 centigrade		
Media	water,sea water,=water steam,oil,acid,alkali etc .		

NOTES: 1)DN40-600,PN=1-1.6MPa,2)DN40-200,
PN=2.5MPa.

DN		Length L(mm)	Outer diameter of flange D(mm)	Number of bolts n	Diameter of bolt hole d ₀ (mm)	Diameter of the central ring of the bolt 1	Axial Displacement(mm)		Lateral Displacement (mm)	Deflection angle (a ₁ +a ₂)
mm	inch						extension	compression		
32	1 1/4	95	140	4	18	100	6	9	9	15
40	1 1/2	95	150	4	18	110	6	10	9	15
50	2	105	165	4	18	125	7	10	10	15
65	2 1/2	115	185	4	18	145	7	13	11	15
80	3	135	200	8	18	160	8	15	12	15
100	4	150	220	8	18	180	10	19	13	15
125	5	165	250	8	18	210	12	19	13	15
150	6	180	285	8	22	240	12	20	14	15
200	8	210	340	8	22	295	16	25	22	15
250	10	230	395	12	22	350	16	25	22	15
300	12	245	445	12	22	400	16	25	22	15
350	14	255	505	16	22	460	16	25	22	15
400	16	255	565	16	26	515	16	25	22	15
450	18	255	615	20	26	565	16	25	22	15
500	20	255	670	20	26	620	16	25	22	15
600	24	260	780	20	30	725	16	25	22	15