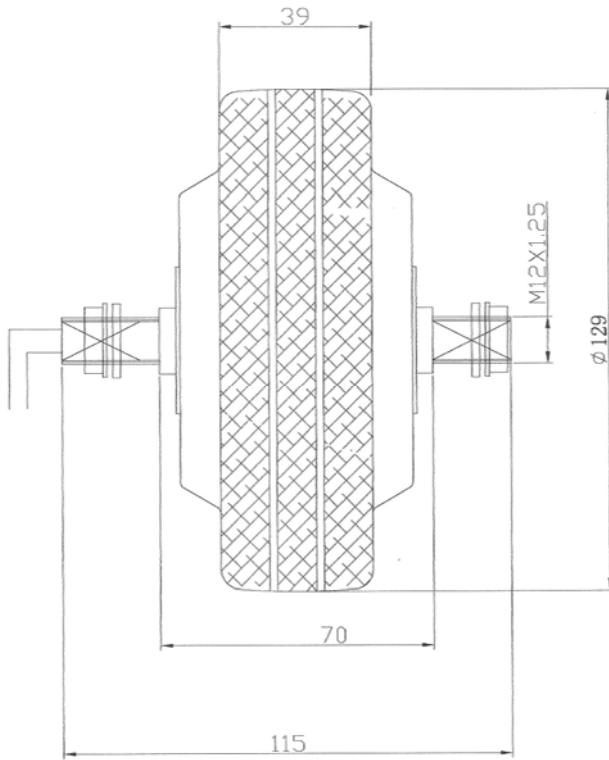




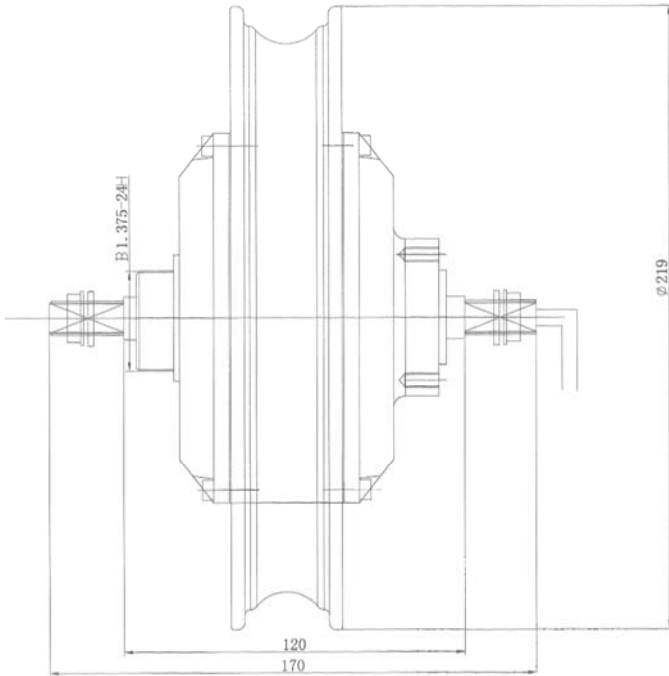
ZJ-ES-Y-9

Rated voltage(v):	24V/36V/48V
Rated power(w):	200W/350W/550W
Rated efficiency(%)	≥80
Max speed(rpm):	350—1250
Open size(mm):	143
Actuation position:	Rear
Freewheel:	
Wheel:	13inch Aluminum alloy
Tire specification	13X7-5
Cable location:	Shaft center/left or right
Hall sensor:	Optional
Integrate speed sensor:	Optional
Connector:	Optional
Brake type:	Disk brake
Color:	silver painted/black painted
Noise(db):	< 55
Salt fog test(h):	24/96
Water proof grade:	IP54
Certification:	CE CCC ROHS
Weight(kg):	< 4.5



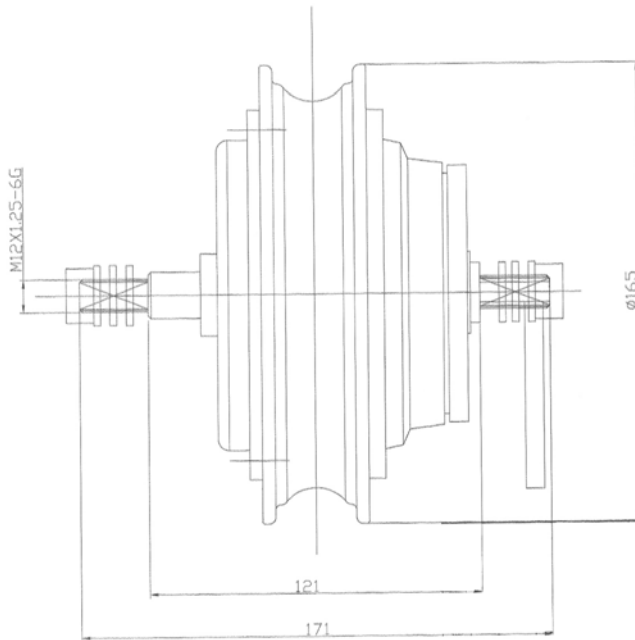
ZJ-ES-Y-8

Rated voltage(v):	12V/24V/36V
Rated power(w):	180W/220W
Rated efficiency(%)	≥80
Max speed(rpm):	350—1250
Open size(mm):	70
Actuation position:	Front
Tire specification:	5 inch solid tire
Cable location:	Shaft center/left or right
Hall sensor:	Optional
Connector:	Optional
Brake type:	E-brake
Color:	Silver painted/black painted
Noise(db):	< 55
Salt fog test(h):	24/96
Water proof grade:	IP54
Certification:	CE CCC ROHS
Weight(kg):	< 2



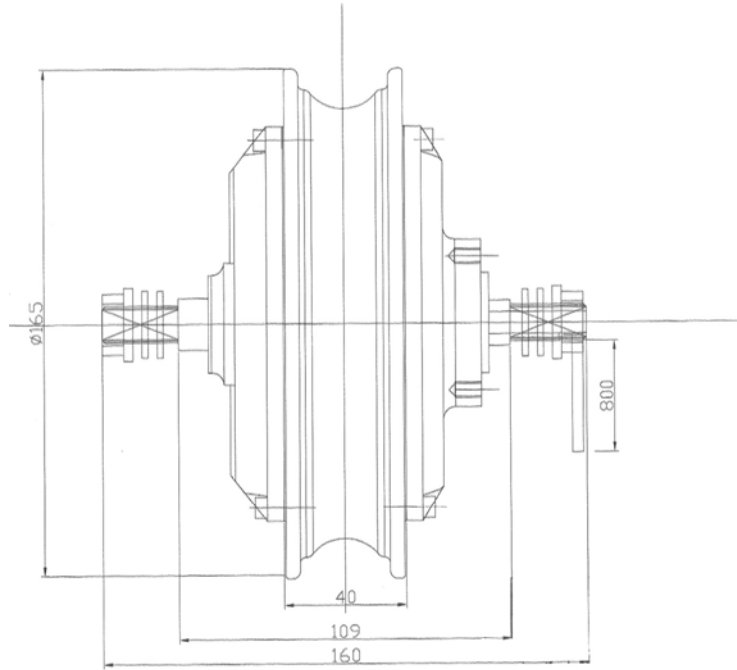
ZJ-ES-Y-7

Rated voltage(v):	24V/36V/48V
Rated power(w):	200W/250W/350W
Rated efficiency(%)	≥80
Max speed(rpm):	185—450
Open size(mm):	115/155/165
Actuation position:	Front/Rear
Freewheel:	Single speed/6/7/8
Wheel:	12inch Aluminum alloy
Tire specification:	12X2.0/12X2.125/12X2.5
Cable location:	Shaft center/left or right
Hall sensor:	Optional
Integrate speed sensor:	Optional
Connector:	Optional
Brake type:	V/Band brake
Color:	Silver painted/black painted
Noise(db):	< 55
Salt fog test(h):	24/96
Water proof grade:	IP54
Certification:	CE CCC ROHS
Weight(kg):	< 5.5



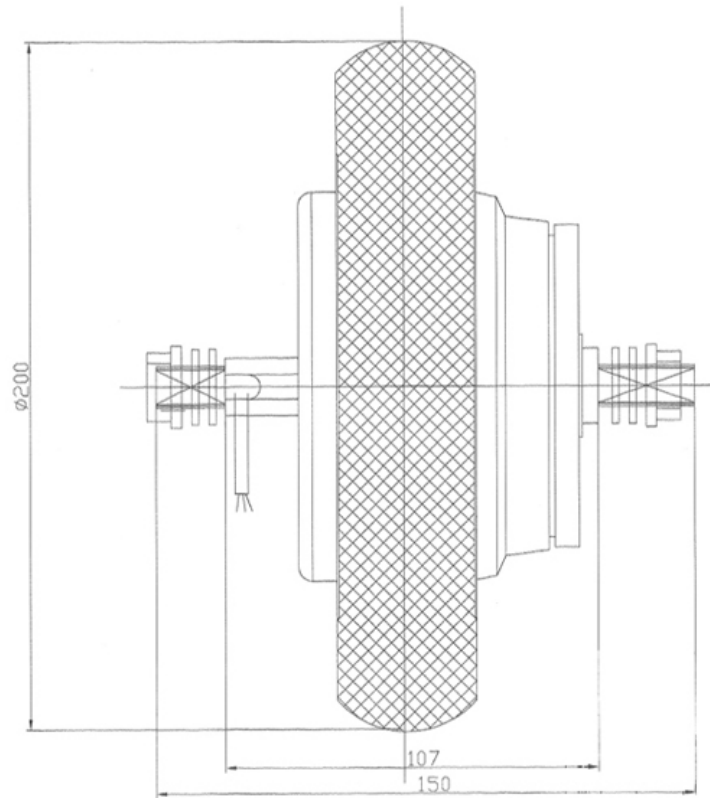
ZJ-ES-Y-4G

Rated voltage(v):	24V/36V/48V
Rated power(w):	180W/220W/350W/450W
Rated efficiency(%)	≥80
Max speed(rpm):	350- 1250
Open size(mm):	85-104-109
Actuation position:	Front/Rear
Tire specification:	10X2.0/10X2.125/10X2.5
Cable location:	Shaft center/left or right
Hall sensor:	Optional
Connector:	Optional
Brake type:	E-brake/disk brake/hub brake
Color:	Silver painted/black painted
Noise(db):	< 55
Salt fog test(h):	24/96
Water proof grade:	IP54
Certification:	CE CCC ROHS
Weight(kg):	< 4



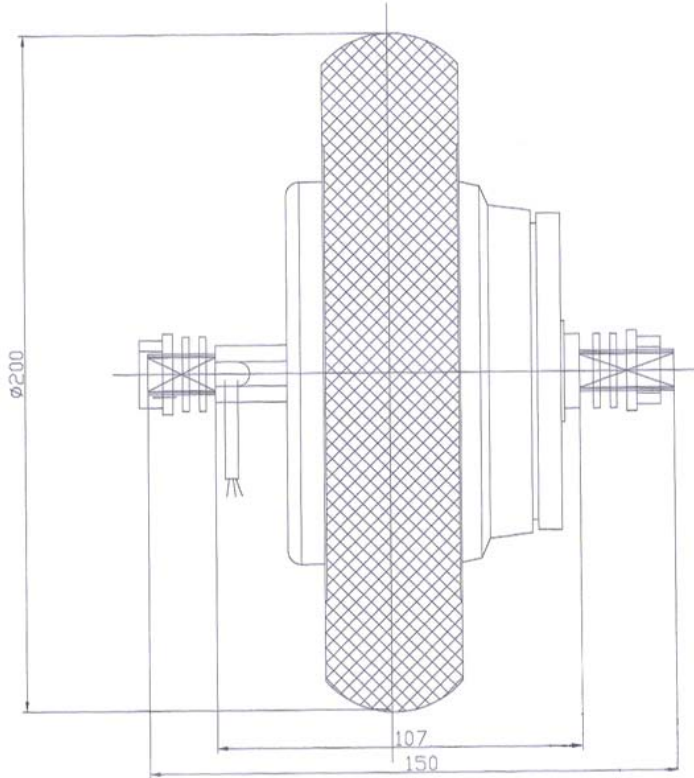
ZJ-ES-Y-4

Rated voltage(v):	24V/36V/48V
Rated power(w):	180W/220W/350W/450W
Rated efficiency(%)	≥80
Max speed(rpm):	350- 1250
Open size(mm):	85-104-109
Actuation position:	Front/Rear
Tire specification:	10X2.0/10X2.125/10X2.5
Cable location:	Shaft center/left or right
Hall sensor:	Optional
Connector:	Optional
Brake type:	E-brake/disk brake/hub brake
Color:	Silver painted/black painted
Noise(db):	< 55
Salt fog test(h):	24/96
Water proof grade:	IP54
Certification:	CE CCC ROHS
Weight(kg):	< 4



ZJ-ES-Y-3A

Rated voltage(v):	24V/36V/48V
Rated power(w):	180W/220W/350W/450W
Rated efficiency(%)	≥80
Max speed(rpm):	350- 1250
Open size(mm):	85-104-109
Actuation position:	Front/Rear
Tire specification:	8 inch solid tire
Cable location:	Shaft center/left or right
Hall sensor:	Optional
Connector:	Optional
Brake type:	E-brake/disk brake/hub brake
Color:	Silver painted/black painted
Noise(db):	< 55
Salt fog test(h):	24/96
Water proof grade:	IP54
Certification:	CE CCC ROHS
Weight(kg):	< 4



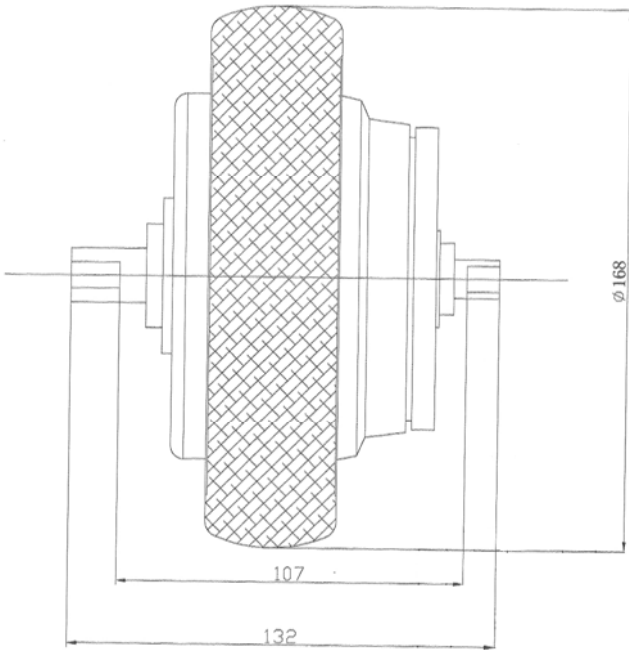
ZJ-ES-Y-3

Rated voltage(v):	24V/36V/48V
Rated power(w):	180W/220W/350W/450W
Rated efficiency(%)	≥80
Max speed(rpm):	350- 1250
Open size(mm):	85-104-109
Actuation position:	Front/Rear
Tire specification:	8 inch solid tire
Cable location:	Shaft center/left or right
Hall sensor:	Optional
Connector:	Optional
Brake type:	E-brake/disk brake/hub brake
Color:	Silver painted/black painted
Noise(db):	< 55
Salt fog test(h):	24/96
Water proof grade:	IP54
Certification:	CE CCC ROHS
Weight(kg):	< 4



ZJ-ES-M-2

Rated voltage(v):	36V/48V/60V
Rated power(w):	500W/800W/1000W
Rated efficiency(%)	≥80
Max speed(rpm):	350- 650
Open size(mm):	155-200
Actuation position:	Rear/Front
Tire specification:	12X3.0 12X2.5
Cable location:	Shaft center/left or right
Hall sensor:	Optional
Connector:	Optional
Brake type:	V/Disc brake(> φ160)
Color:	Silver painted/black painted
Noise(db):	< 55
Salt fog test(h):	24/96
Water proof grade:	IP54
Certification:	CE CCC ROHS
Weight(kg):	< 8



ZJ-ES-Y-2-R

Rated voltage(v):	24V/36V
Rated power(w):	180W/220W/350W
Rated efficiency(%)	≥80
Max speed(rpm):	350—1250
Open size(mm):	75-100
Actuation position:	Front
Tire specification:	6 inch solid tire
Cable location:	Shaft center/left or right
Hall sensor:	Optional
Connector:	Optional
Brake type:	E-brake
Color:	Silver painted/black painted
Noise(db):	< 55
Salt fog test(h):	24/96
Water proof grade:	IP54
Certification:	CE CCC ROHS
Weight(kg):	< 3



ZJ-ES-Y-2-F

Rated voltage(v):	24V/36V
Rated power(w):	180W/220W
Rated efficiency(%)	≥80
Max speed(rpm):	350—1250
Open size(mm):	75-100
Actuation position:	Front
Tire specification:	6 inch solid tire
Cable location:	Shaft center/left or right
Hall sensor:	Optional
Connector:	Optional
Brake type:	E-brake
Color:	Silver painted/black painted
Noise(db):	< 55
Salt fog test(h):	24/96
Water proof grade:	IP54
Certification:	CE CCC ROHS
Weight(kg):	< 3



ZJ-ES-Y-1

Rated voltage(v) :	24V/36V/48V
Rated power(w) :	200W/250W/350W
Rated efficiency(%)	≥80
Max speed(rpm) :	185—450
Open size(mm) :	115/155/165
Actuation position:	Rear/Front
Freewheel:	Single speed/6/7/8
Wheel:	12inch Aluminum alloy
Cable location:	Shaft center/left or right
Hall sensor:	Optional
Integrate speed sensor:	Optional
Connector:	Optional
Brake type:	V/Band brake
Color:	silver painted/black painted
Noise(db) :	< 55
Salt fog test(h) :	24/96
Water proof grade:	IP54
Certification:	CE CCC ROHS
Weight(kg) :	< 5.5