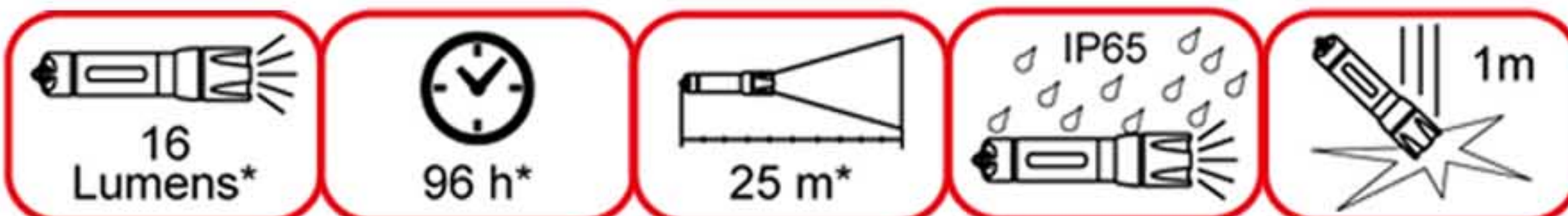




1 X AAA

- 1 x 5mm High end LED chip
- Tactical crenulated bezel
- Gold-plated contacts
- 6061-T6 Aluminium casing
- End cap switch
- Waterproof and shockproof housing
- Lightweight at 30g (excluding battery)
- Powered by 1 x AAA alkaline battery
- Includes keyring
- Sizes: $\Phi 15 \times 92.6 \text{mm}$



Keyring Series

K3