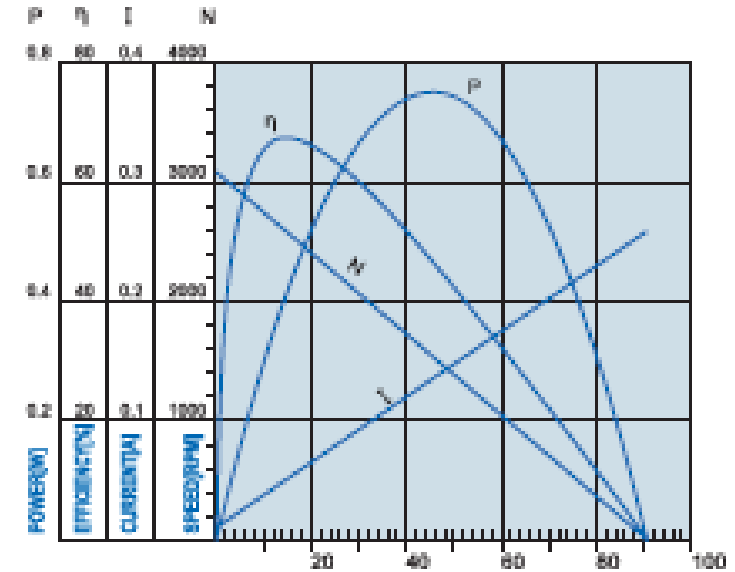
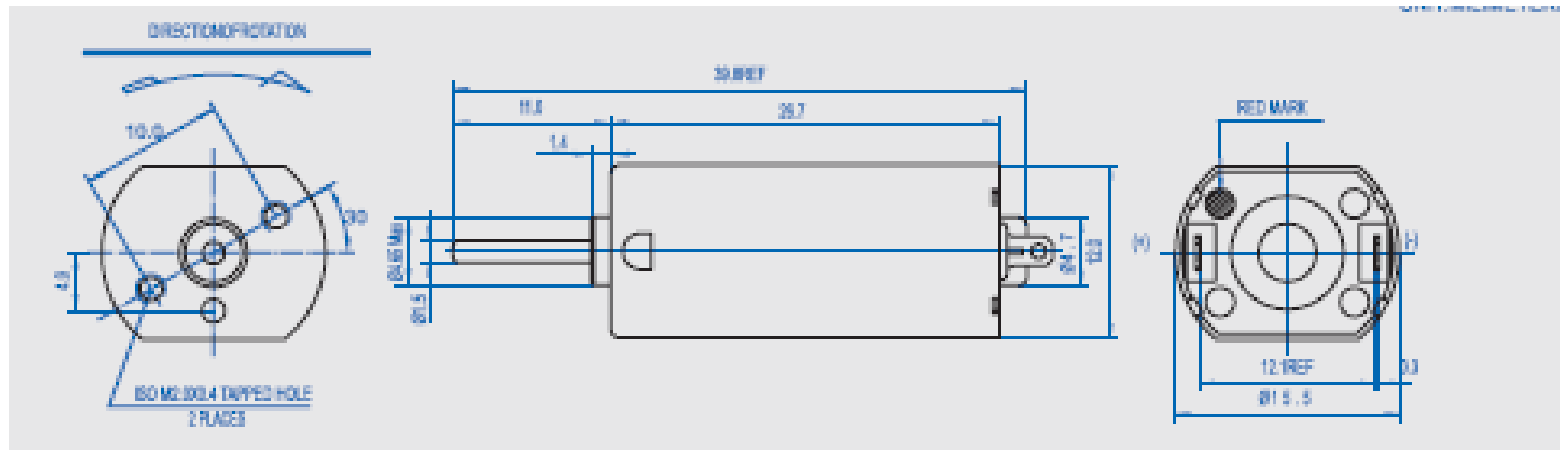


Model no.: WFF-050SH-11180



Nominal voltage: DC4.0V
 Operating range: DC3V-5V
 No load current: 0.055A
 No load speed: 5200rpm/min.
 Current with load: 0.25A
 Speed with load: 2600rpm/min.
 Max efficient power: 0.133W
 Max efficiency: 50%
 Starting torque: 2.84mN.m
 Starting current: 0.5A
 Output: approx. 0.01W-1.2W

Dimensions



Main applications:

1. AV Equipment: Car CD, Car DVD player, portable cameras, digital cameras;
2. Medical equipment, computer, security monitors, optical instruments;