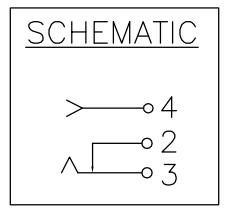
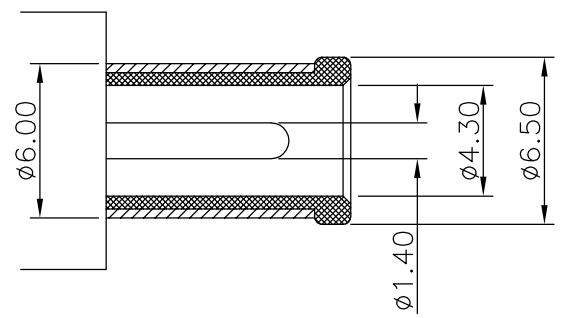
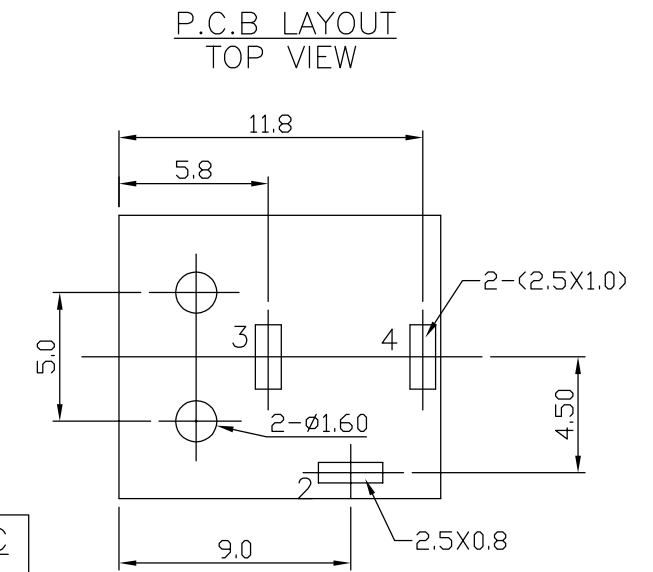
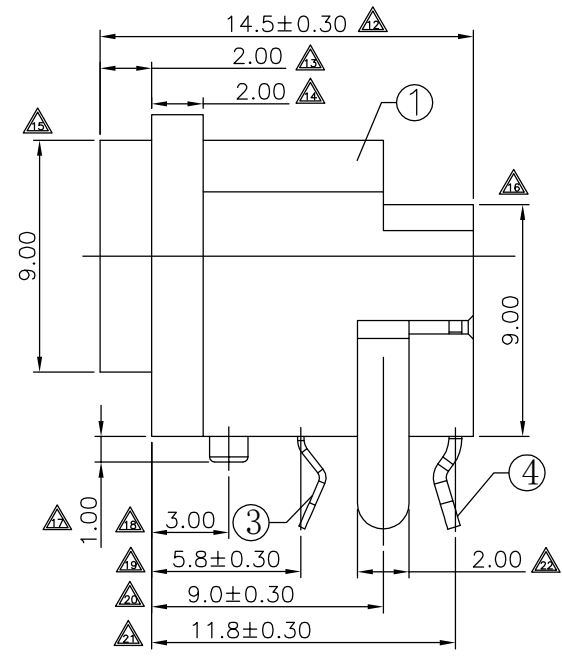
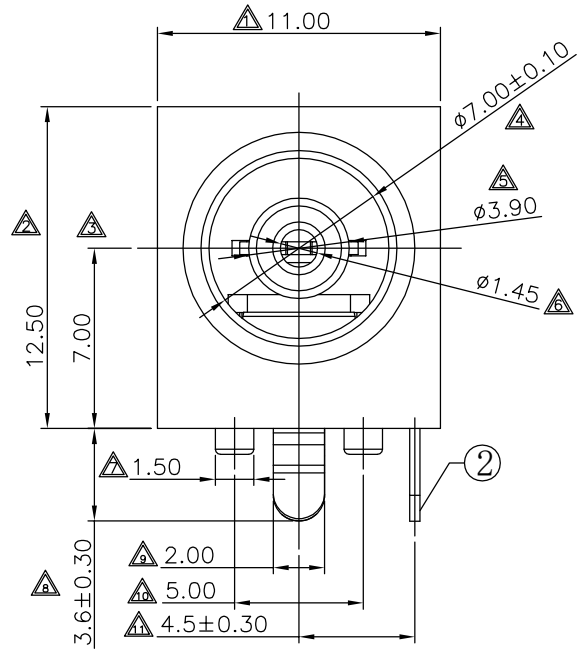





 RoHS Compliant  
 Level-1 Controlled Substances are banned



**SPECIFICATION**

- Rating : DC 30V 1.0A;
- Contact resistance:  $\leq 0.03\Omega$ ;
- Insulation resistance:  $\geq 100M\Omega$  (DC250V);
- Withstand voltage: 500VAC ;
- Insertion and extraction force: 3-30N;
- life test: 5,000 cycles.
- Marked  $\triangle$  are important dimensions.

NO.	DESCRIPTION	QTY	MATERIAL	COLOR	REMARK
4	CONTACT FOOT	1	BRONZE	——	Ag-Plating
3	SPRING	1	BRONZE	——	Ag-Plating
2	CURVE PIECE	1	BRASS	——	Ag-Plating
1	HOUSING	1	PA66	——	——

GENERAL TOLERANCE UNLESS OTHERWISE SPECIFIED		 盛聰电子有限公司 SHENG CONG ELECTRONIC CO.,LTD						
General	Angle					CUSTOMER COPY	TITLE:	DC-JACK
X ± 0.50	X °± 3'							
XX ± 0.30	XX °± 2'							
XXX ± 0.20	XXX °± 1'	PART NO.	DJ-D038-1.45					
PROJ: 	SCALE: 3:1	UNIT:mm	SIZE: A4	SHEET: 1 OF 1				

ECN(DCN) NO.	REV	DATE	DESCRIPTION	CHANGE	APPRO.	APPRO.	Max.hu	12'/06/05
	0	12'/06/05	NEW	Steven	Max.hu			