

**MATERIALS:**  
 INSULATOR:P.B.T.30%GLASS FIBER,UL94V-0  
 CONTACT MATERIAL:BRASS OR PHOSPHOR BRONZE,GOLD FLASH OVER NICKEL

**ELECTRICAL:**  
 CURRENT RATING:1AMP DC  
 INSULATION RESISTANCE:3000MΩ MIN.  
 CONTACT RESISTANCE:30mΩ MAX.  
 DIELECTRIC WITHSTANDING:500V AC  
 OPERATING TEMPERATURE:-40°C~+105°C  
 TERMINATED WITH 1.27mm PITCH FLAT RIBBON CABLE.

DIMENSION			
CONTACT	A	B	C
06P	12.18	05.08	1.90
08P	14.72	07.62	1.90
10P	17.26	10.16	3.60
12P	19.80	12.70	3.60
14P	22.34	15.24	3.60
16P	24.88	17.78	3.60
18P	27.42	20.32	3.60
20P	29.96	22.86	3.60
24P	35.04	27.94	3.60
26P	37.58	30.48	3.60
30P	42.66	35.56	3.60
34P	47.74	40.64	3.60
40P	55.36	48.26	3.60
50P	68.06	60.96	3.60

RoHS Compliant

TOLERANCES ARE

**MORETHANALL**  
 PCB CONNECTORS  
 Cable ASSEMBLIES

煜倫股份有限公司

www.morethanall.com

DRAWING BY CY

CHECKED BY GENIUS

UNIT / mm SCALE 1:1

DATE

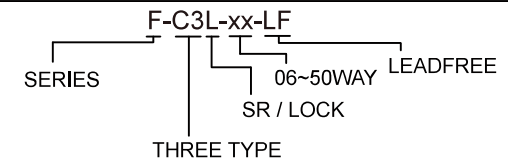
SIZE A4

PPOJECTION

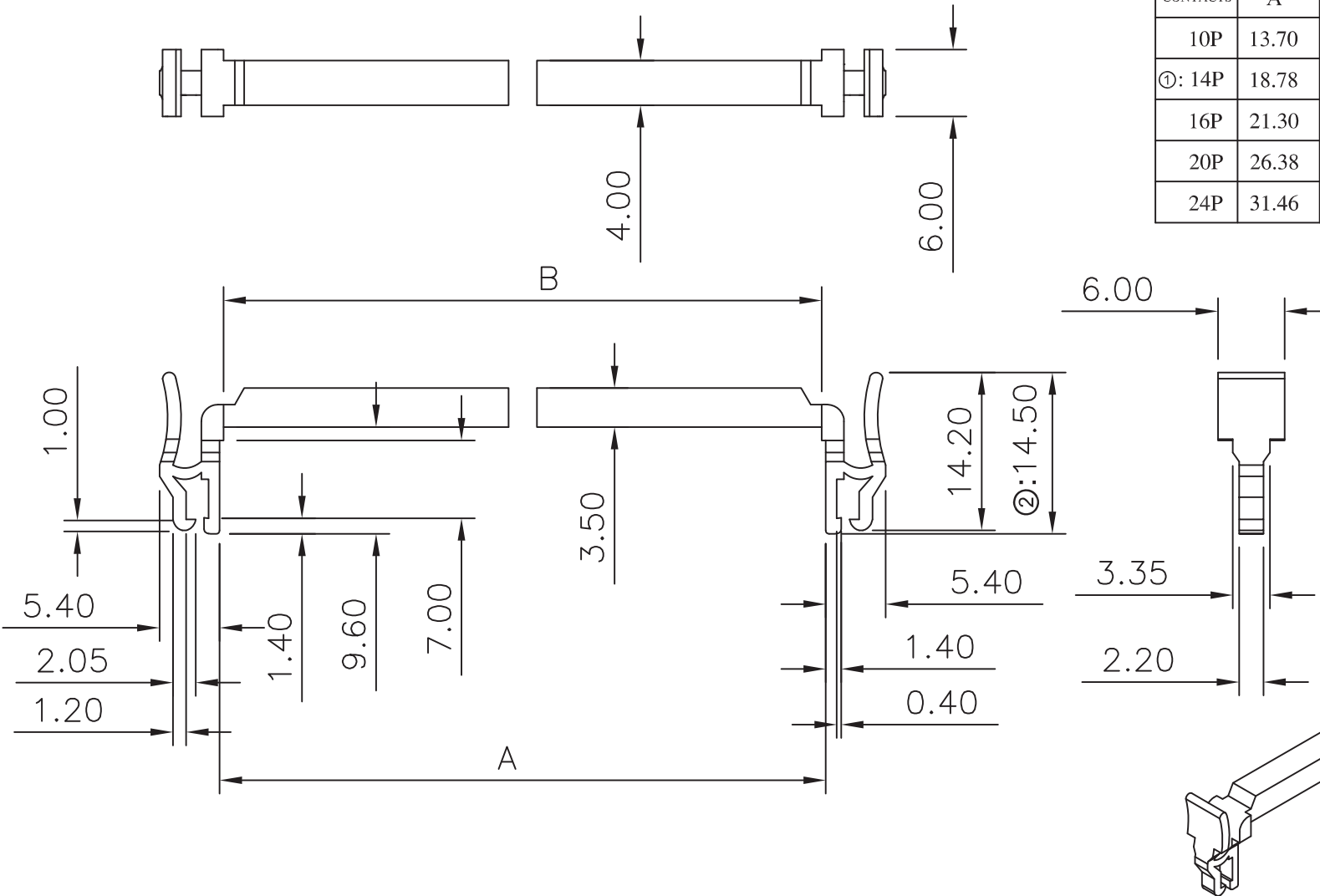
X ±  
 .X ±  
 .XX ±  
 .XXX ±  
 ANG ±



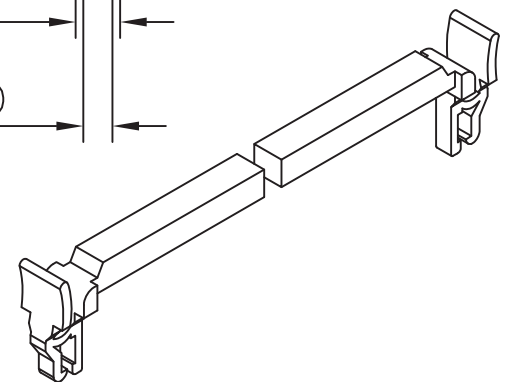
ORDER INFORMATION



DESCRIPTION:



CONTACTS	A	B	CONTACTS	A	B
10P	13.70	13.00	26P	34.00	33.20
①: 14P	18.78	18.08	③: 30P	39.08	38.28
16P	21.30	20.60	34P	44.48	43.58
20P	26.38	25.60	40P	52.10	51.20
24P	31.46	30.68			



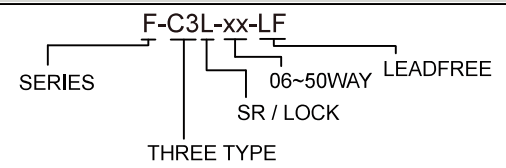
**MORETHANALL**  
PCB CONNECTORS  
Cable ASSEMBLIES  
煜倫股份有限公司

www.morethanall.com

<b>RoHS Compliant</b>		TOLERANCES ARE	
DRAWING BY CY		X ±	
CHECKED BY GENIUS		.X ±	
UNIT / mm	SCALE 1:1	.XX ±	
DATE		.XXX ±	
		ANG ±	
SIZE A4	PPOJECTION		



**ORDER INFORMATION**



DESCRIPTION: