

## Datasheet

Product Number:	<b>RMD-PC23-R61</b>	Product Name:	<b>13.56MHz Proximity Module</b>
-----------------	---------------------	---------------	----------------------------------

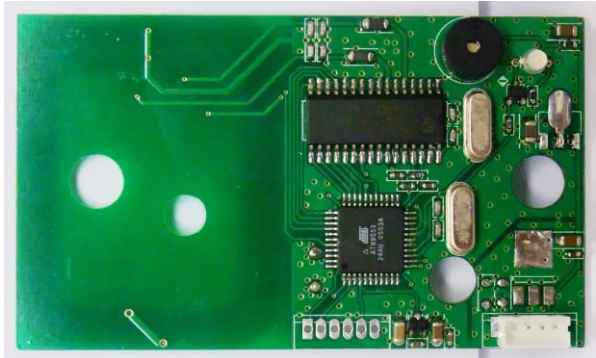
Product Classification:

**Access System**

Reader diagram:

Dimension: **L85 x W50 x H12 (mm)**

**with Internal-Antenna**







Specification (Reader IC, Philips Semiconductors)

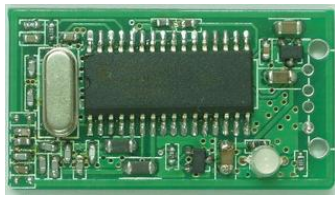
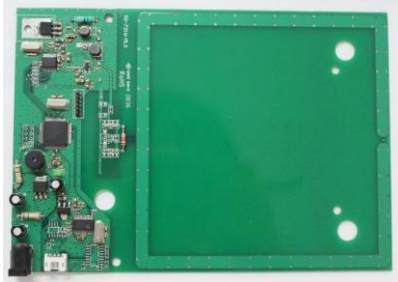
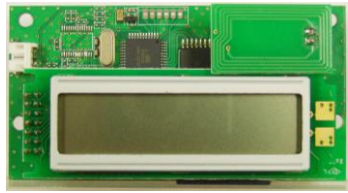

Operating Frequency	<b>13.56MHz</b>
Interface	<b>RS-232</b>
Baud Rate	<b>19200, 14400, 9600, 4800, 2400 bps</b>
Power Requirement	<b>DC 4.75V - 5.25V</b>
Electric Current	<b>150mA (DC5V)</b>
Read Function	<b>Read &amp; Write</b>
Standard	<b>ISO 15693</b>
Card Types	<b>I CODE SLI</b>
Reading Distance	<b>Up to 100mm (ISO 15693, ISO card)</b>
Indicators	<b>R LED / G LED &amp; Beep</b>
Operation Temperature	<b>0°C ~ +50°C</b>
Storage Temperature	<b>-10°C ~ +60°C</b>
Humidity	<b>10% - 90%</b>
RoHS	<b>PASS</b>

- Specification is subject to change without notice
- Related products: (we also design special reader module according to customer's request)

<b>RMD-PF23-R61</b>	ISO14443 w/ RS232
<b>RMD-PF23-U61</b>	ISO14443 w/ USB
<b>RMD-PF23-S61</b>	ISO14443 w/ RS485

<b>RMD-PC23-R61</b>	ISO15693 w/ RS232
<b>RMD-PC23-U61</b>	ISO15693 w/ USB
<b>RMD-PC23-S61</b>	ISO15693 w/ RS485

No.	P/N No.	Product Picture	Description	Dimensions	Notes
1	RMD-PC23-S60		13.56 MHz ICode2 / RS485	L114 x W33 x H14 (mm)	Internal Antenna
2	RMD-PC23-R60		13.56 MHz ICode2 / RS232		
3	RMD-PC23-U60		13.56 MHz ICode2 / USB		
4	RMD-PF23-S60		13.56 MHz Mifare / RS485		
5	RMD-PF23-R60		13.56 MHz Mifare / RS232		
6	RMD-PF23-U60		13.56 MHz Mifare / USB		
7	RMD-PC23-U61		13.56 MHz ICode2 / USB	L100 x W67 x H18 (mm)	Internal Antenna
8	RMD-PC23-R61		13.56 MHz ICode2 / RS232		
9	RMD-PF23-U61		13.56 MHz Mifare / USB		
10	RMD-PF23-R61		13.56 MHz Mifare / RS232		
11	RMD-PC23-U63		13.56 MHz Code2 / USB	L50 x W50 x H12 (mm)	Customized antenna design is available
12	RMD-PC23-R63		13.56 MHz ICode2 / RS232		
13	RMD-PF23-U63		13.56 MHz Mifare / USB		
14	RMD-PF23-R63		13.56 MHz Mifare / RS232		
15	RMD-RC23-U63		13.56 MHz <b>Mifare &amp; ICode2</b> USB	L58 x W42 x H12 (mm)	Customized antenna design is available
16	RMD-RC23-R63		13.56 MHz <b>Mifare &amp; ICode2</b> RS232		

No.	P/N No.	Product Picture	Description	Dimensions	Notes
17	RMD-PF23-U64		13.56 MHz Mifare / USB	L40 x W22 x H13 (mm)	Antenna Optional
18	RMD-PC23-U64		13.56 MHz ICode2 / USB		
19	RMD-PC23-R71		13.56 MHz <b>Mid-Range Module</b> ICode2 / RS232	L188 x W130 x H17 (mm)	Internal Antenna
20	RMD-PC23-U71		13.56 MHz <b>Mid-Range Module</b> ICode2 / USB		
21	RMD-LD23-R23		<b>Dual band</b> 125 KHz <b>(EM)</b> 13.56 MHz <b>(ISO 14443)</b> Display <b>HEX</b> RS232	L85 x W50 x H20 (mm)	DC5V~12V Read only  Internal Antenna
22	RMD-XQ23-R19		<b>Dual band</b> 125 KHz <b>(EM)</b> 13.56 MHz <b>(ISO 15693)</b> Display <b>HEX</b> RS232		
23	RMD-LE23-R23		RS232 125 KHz <b>(EM/TK)</b> Display <b>HEX</b> , <b>Wiegand26</b> , <b>Wiegand32</b>	L85 x W50 x H19 (mm)	DC9V Read only  Internal Antenna