

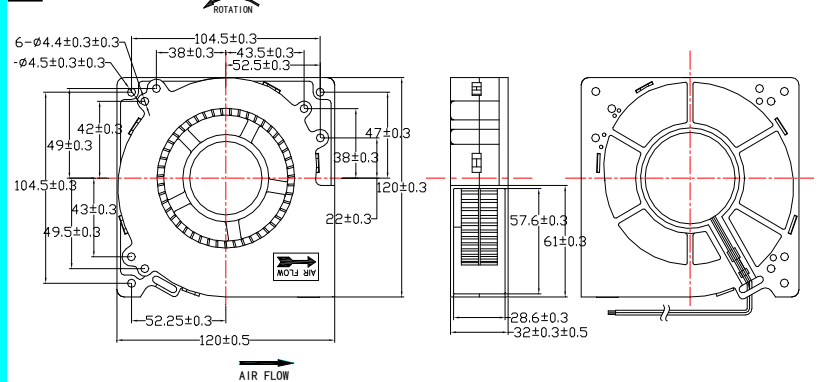


EVER GRAND

## DC BLOWER EB12032-1 SERIES

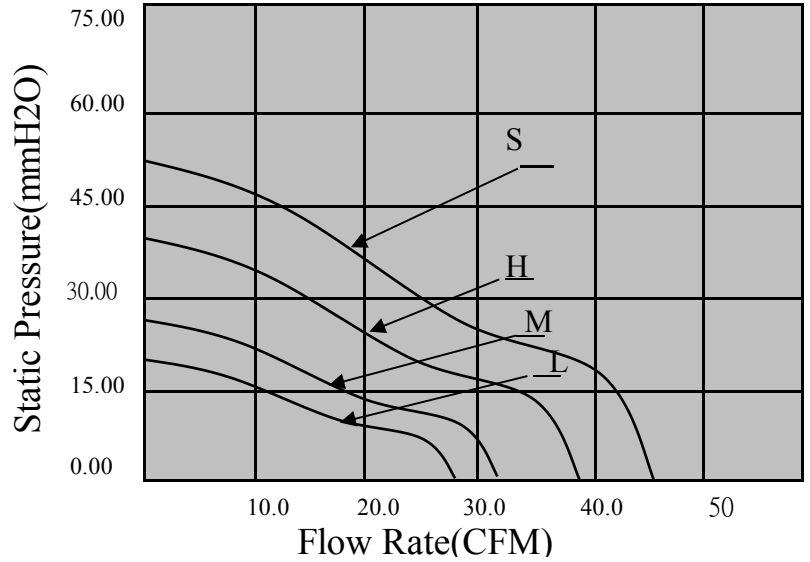


### DIMENSIONS DRAWING



### P&Q CURVE ( AT RATED VOLTAGE )

12032-1 BLOWER Performance Cu



- \*Material: housing/impeller: plastic UL94-V0
- \*Operating Temperature: -10°C-70°C(35%-85%RH)
- \*Storage Temperature: -40°C-70°C(35%-85%RH)
- \* Lead wire type: #26AWG

Model	Bearing	Code	Rated Voltage	Operating Voltage Range	Rated Current	Rated Input Power	Speed	Air Flow	Static Pressure	Noise	Weight
PART NO.			VDC	VDC	Amp	Watt	RPM	CFM	mmH2O	dBA	g
EB12032S(B)12S	S.B	S	12	9-13.5	2	24	3800	40.4	53.9	58.9	236
EB12032S(B)12H	S.B	H		9-13.5	1.2	14.4	3200	34.9	35.1	54.2	
EB12032S(B)12M	S.B	M		9-13.5	0.8	9.6	2800	29.9	27.1	51.1	
EB12032S(B)12L	S.B	L		9-13.5	0.5	6	2400	24.5	17.9	45.1	
EB12032S(B)24S	S.B	S	24	12-26.4	1	24	3800	40.4	53.9	58.9	
EB12032S(B)24H	S.B	H		12-26.4	0.6	14.4	3200	34.9	35.1	54.2	
EB12032S(B)24M	S.B	M		12-26.4	0.4	9.6	2800	29.9	27.1	51.1	
EB12032S(B)24L	S.B	L		12-26.4	0.3	7.2	2400	24.5	17.9	45.1	
EB12032S(B)48S	S.B	S	48	24-55.8	0.5	24	3800	40.4	53.9	58.9	
EB12032S(B)48H	S.B	H		24-55.8	0.35	16.8	3200	34.9	35.1	54.2	
EB12032S(B)48M	S.B	M		24-55.8	0.23	11.04	2800	29.9	27.1	51.1	
EB12032S(B)48L	S.B	L		24-55.8	0.18	8.64	2400	24.5	17.9	45.1	

\*Function type is optional.  
 \*The max air flow and the speed are measured in free air ;max .airpressure is measured at zero air flow.  
 \*Noise is measured in anechoic chamber in free air ,one meter from intake side.  
 \*All readings are typical values at rates voltage.  
 \*Specifications are subject to change without notice.