



深圳易凯达科技有限公司
永嘉达科技有限公司（香港）
WIN-KARE TECHNOLOGY CO.,LTD

Specification

Type:Touch dimmer

Model:WK-900

- Good dimming effect, using loop compensation and average current output
- High output precision, using high-performance LED driver chip, high output precision.

Application Scenarios

Floor lamp. Table lamp

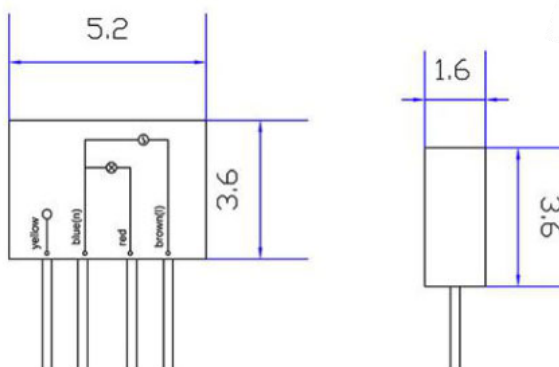
Living room, exhibition room, library, restaurant, hotel, etc

Technical Parameters:

- Operating temperature: -20-60 degrees Celsius
- Input voltage: 220-240V
- Output voltage:100-240V
- Current:450mA
- Rate:Max 100w
- Dimmer method: triac dimmer

Product Appearance

Size: 52*36*16cm



Tel:+86-755-25003073;Fax:+86-755-25003079
Http:\\www.win-kare.com;Mail:service@win-kare.com