

www.eng.com.tw

AC-DC 4W

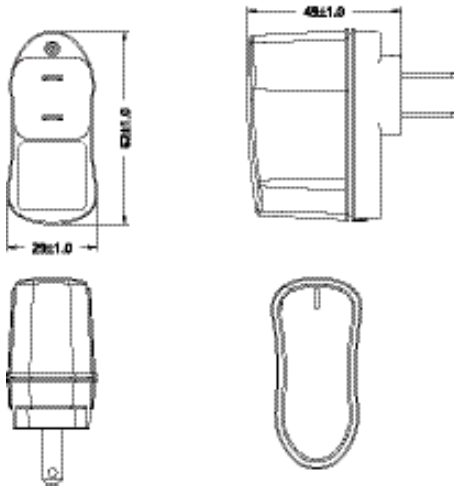
3A-041WUXX

Features:

- Universal AC Input 90 ~ 264Vac
- Low ripple noise
- No minimum load requirement
- 100% burn in test
- 1 year warranty
- Safety: UL, cUL, FCC, PSE



Dimension:



Model No.	Output		Additional Safety
3A-041WU03	3.3V	1.5A	
3A-041WU04	4.5V	1.1A	
3A-041WU05	5V	1.0A	BSMI
3A-041WU06	6V	0.85A	
3A-041WU07	7.5V	0.65A	
3A-041WU09	9V	0.55A	
3A-041WU12	12V	0.42A	
3A-041WU15	15V	0.35A	

Specification:

Input	Voltage	AC 90V ~ 264V Universal full range
	Frequency	47 - 63Hz
	Current	200mA
	Leakage Current	0.25mA
Others	Start up time	<1000mS @ Minimum AC input
	Rise time	<100mS
	Hold up time	> 20mS @ 230Vac/50Hz input
	Cooling	Natural Cooling
Environment	Temperature	Operating: 0~40°C; Storage: -10 ~ +75°C
	Humidity	Operating: 20% ~ 85%; Storage: 10% ~ 95% (Non Converting)
M.T.B.F	50K Hours	
Safety	UL 60950, CSA C22.2 No.60950, EN 60950, IEC 60950	
EMC	EMI	FCC CFR 47 PART 15
		EN55022, EN61000-3
	EMS	EN 50024 (EN61204-3)
		EN61000-4



AC-DC 5W

www.eng.com.tw

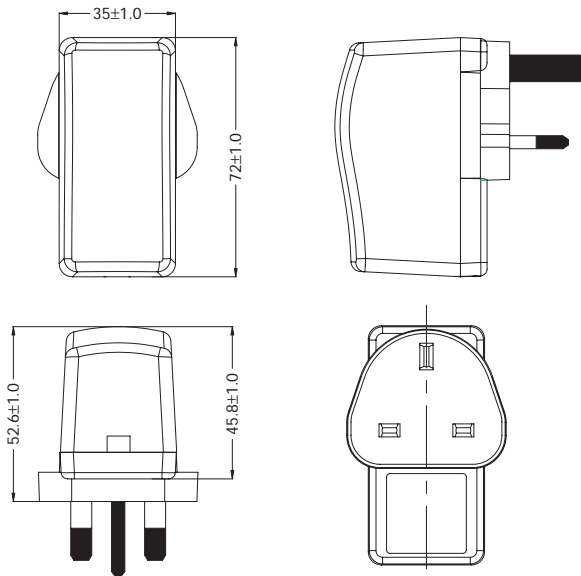
3A-051WEXX

Features:

- Universal AC Input 90 ~ 264Vac
- Low ripple noise
- No minimum load requirement
- 100% burn in test
- 1 year warranty
- Safety: CB, CE



Dimension:



Model No.	Output	Additional Safety
3A-051WE03	3.3V 1.2A	
3A-051WE42	4.2V 0.9A	
3A-051WE04	4.5V 1A	
3A-051WE05	5V 1A	
3A-051WE06	6V 0.85A	
3A-051WE07	7V 0.65A	
3A-051WE72	7.2V 0.65A	
3A-051WE75	7.5V 0.65A	
3A-051WE09	9V 0.55A	
3A-051WE12	12V 0.42A	
3A-051WE15	15V 0.35A	
3A-051WE18	18V 0.3A	
3A-051WE24	24V 0.2A	

Specification:

Input	Voltage	AC 90V ~ 264V Universal full range
	Frequency	47 - 63Hz
	Current	200mA
	Leakage Current	0.25mA
Others	Start up time	<1000mS @ Minimum AC input
	Rise time	<100mS
	Hold up time	> 20mS @ 230Vac/50Hz input
	Cooling	Natural Cooling
Environment	Temperature	Operating: 0~40°C; Storage: -10 ~ +75°C
	Humidity	Operating: 20% ~ 85%; Storage: 10% ~ 95% (Non Converting)
M.T.B.F	50K Hours	
Safety	UL 60950, CSA C22.2 No.60950, EN 60950, IEC 60950	
EMC	EMI	FCC CFR 47 PART 15
		EN55022, EN61000-3
	EMS	EN 50024 (EN61204-3)
		EN61000-4