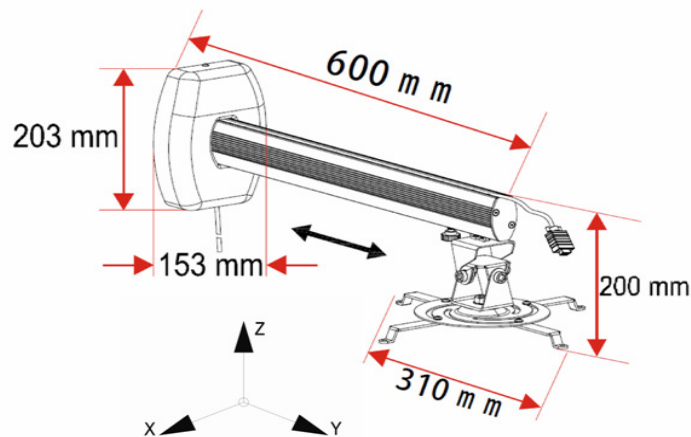


AST600 Mounts

- Free to adjust the length
- High qualified aluminum material
- Easy and convenient to install
- Light weighted.
- The angle is adjustable
- Silver, white or black for your reference
- Maximum support less than 12kg
- The cable can store in the tube



The Parameters of AST Wall Extend Mounts

Specification	L=600mm	Schematic diagram
Name	AST600	
Materials	Aluminum and cold-rolled sheet	
Color	Silver, white and black	
The dimension of package/mm	910L×180W×110H (cover size)	
Gross weight/kg	3/kg	
Net weight/kg	2.6/kg	
Maximum support/kg	12/kg	
Weight rake	1.5°	
Adjustable angle of X axis	±42°	
Adjustable angle of Y axis	±42°	
Maximum adjustable length	587/mm	