

TriCreate Foldable Triple Monitor Product Specification

1.0

Version History

Date	By	Changes	Version
2024-4-21	Vincent Zhong	<ul style="list-style-type: none">Initial Version	1.00
2025-6-19	Vincent Zhong	<ul style="list-style-type: none">Updated	1.02
2025-9-25		<ul style="list-style-type: none">Updated	1.03
2025-10-11		<ul style="list-style-type: none">Updated	1.04

Contents

Version History	2
1.0. Introduction	4
2.0. Features	5
3.0. Typical Applications	7
4.0. Technical Specifications	8

1.0. Introduction

The TriCreate is a foldable triple monitor which increases the efficiency of your work.

With the patent unique foldable stand, it makes the triple 15.6 inch monitor stand right above the laptop screen, and be folded to carry easily. It can be widely used in on-the-go office work applications, including business travelling, engineering, meetings.

You can connect the TriCreate with just one type c or USB cable, it is very easy and convenient to use.



2.0. Features

- 3 x 15.6 inches FHD IPS Monitors
 - Display Resolution: 1920 x 1080p
 - Aspect Ratio: 16:9
 - Refresh Rate: 60 Hz
 - Color gamut: 100% sRGB
 - Brightness: 300 nits
 - Wide Angle: 178°
 - Support Low Blue light, comfortable for eyes
- Connection and Interfaces
 - 1 x USB to support the VGA and DP monitor
 - 3 x HDMI exclusive for each monitor
 - 1x Type C to support triple monitors
- Power Delivery
 - PD 65 power adaptor
 - Type C charging port
 - Buttons: 4 keys for triple monitor: from left to right, Power, Down/-, Up/+, Menu/Exit
- Compatible with multiple systems and devices
 - Windows
 - Mac: including M1, M2, M3, M4
 - Linux: Ubuntu
- The left and right monitor swivel Angel: 360°
- Auto magnetic suction for the outside screens while it is in the triangle display mode.

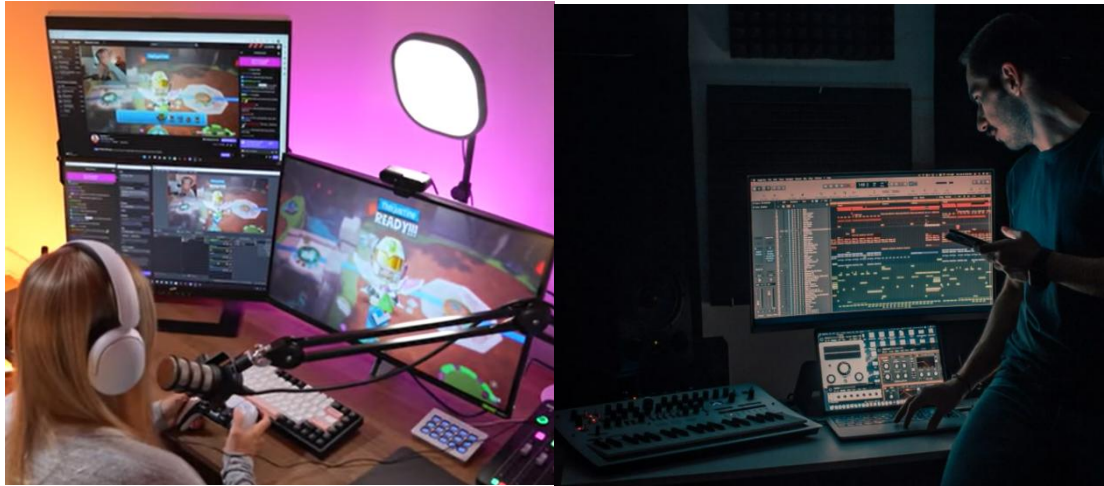


- Built-in flexible kick stand
- 4 rotatable handles for the stand

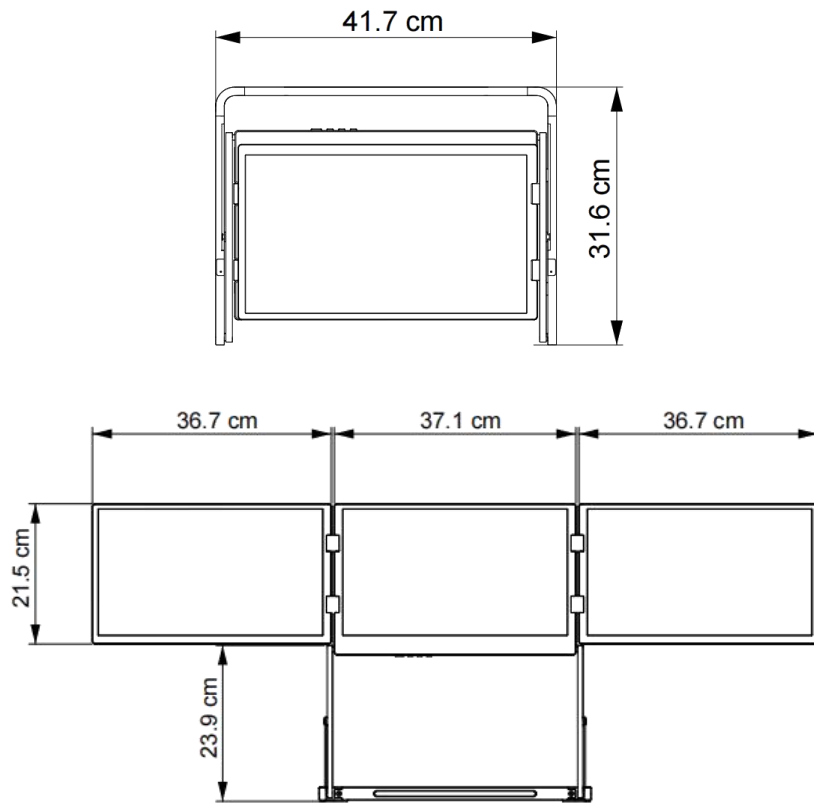
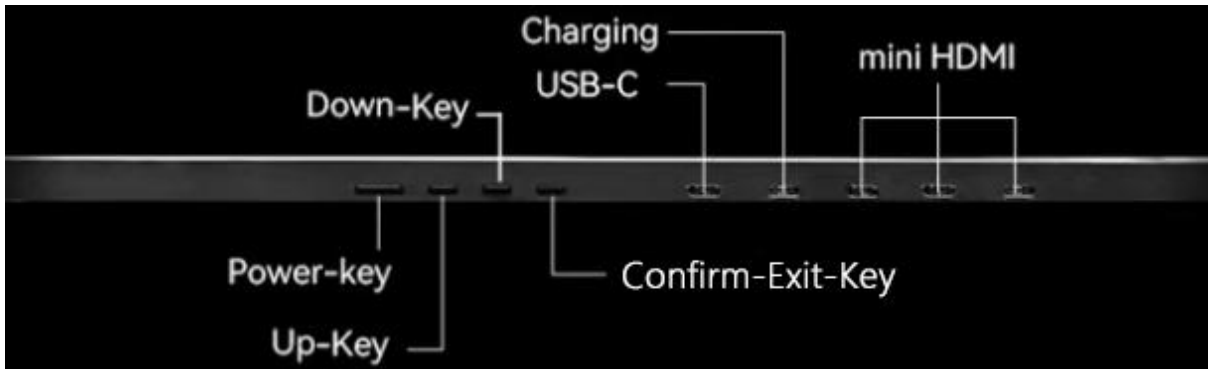
- 3 Adjustable Height
- Compatible Laptop Size: ≤ 17 inches

3.0. Typical Applications

- Engineering: software programming, algorithms analysis, hardware drawing, mechanical design
- Design: Industrial Design, Video editing
- Financial: Stock real time tracking, stock market analysis, data comparison and analysis
- Music composing
- Gaming: 3-in-1 display mode helps you to get more map contents of the game
- On-the-go office



4.0. Technical Specifications



Description	Parameters
Panel Size	15.6" (16 : 9) Triple Screen
Panel technology	IPS
Color gamut	100% sRGB, 72% NTSC
Display Colors	16.7 M
Resolution	1920 x 1080p
Viewing angle:	
Vertical	85° (typical)
Horizontal	85° (typical)

Brightness (Typ.)	300(+30) Nits
Keys	4 Keys: Power, Down/-, Up/+, Menu-exit
Speaker	2 x 6 Ω 2W speaker
Refresh rate	60 Hz
Connectivity	1 x Type-C to support triple display 3 x HDMI direct connection to each monitor, together with USB to support triple display
Fold Angle	0~ 360°
Net Weight	3.0 kg
Cross Weight	4.2 kg
Package Size	467 x 360 x 72 mm
Compatible systems	Windows, Mac, Linux
Operating Condition	Temperature:0°C-50°C Humidity:20%-80%
Storage condition	Temperature -20°C - +60°C Humidity: 5% - 90%, non-condensing
Power Charger	USB - PD, 65 W
Certifications/Compliance	  