

97X97X33

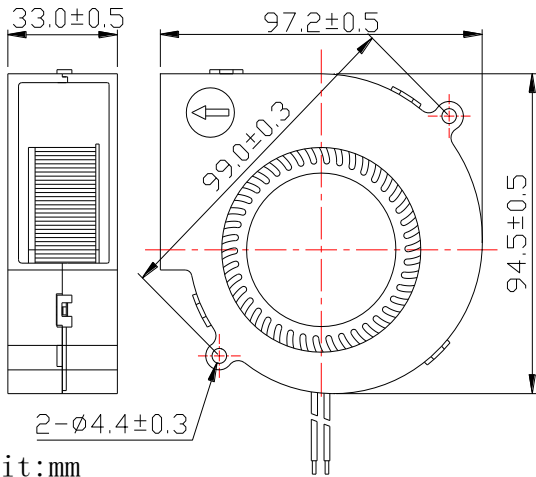
DC Blower Fan Motor



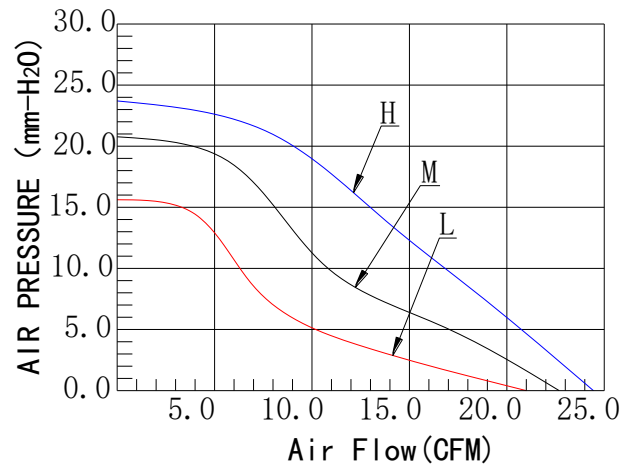
● General Specifications (一般规格)

- Material:
Frame And Impeller: Thermal Plastic UL 94-0
- Lead Wires: UL Type
RED Wire Positive (+)
Black Wire Negative (-)
- Insulation Resistance: 10MΩ Or Over With a DC250V Megger
- Dielectric Withstand Voltage: AC500V 1S
- Allowable Ambient Temperature Range:
-10°C ~ +70°C (Operating)
-40°C ~ +70°C (Storage)

● Dimensions Drawing (外观图)



● Characteristic Curves (特性曲线)



● Specifications (规格)

(型号) Model	(轴承类型) Bearing Type	(电压) Rated Voltage	(电压范围) Operation Voltage	(电流) Current	(转数) Speed	(风量) Air Flow	(风压) Static Pressure	(噪音) Noise Level	(重量) Weight
		VDC	VDC	A	RPM	CFM	mmH ₂ O	dBa	g
SDH9733S	Sleeve	12	10.8~13.2	1.00	3200	24.90	23.06	48.83	146
SDM9733S				0.60	3000	23.10	20.86	43.67	
SDL9733S				0.50	2600	20.10	15.03	34.34	
SDH9733B	Ball			1.00	3200	24.90	23.06	48.83	
SDM9733B				0.60	3000	23.10	20.86	43.67	
SDL9733B				0.50	2600	20.10	15.03	34.34	
SDH9733S	Sleeve	24	21.6~26.4	0.60	3200	24.90	23.06	48.83	
SDM9733S				0.40	3000	23.10	20.86	43.67	
SDL9733S				0.30	2600	20.10	15.03	34.34	
SDH9733B	Ball			0.60	3200	24.90	23.06	48.83	
SDM9733B				0.40	3000	23.10	20.86	43.67	
SDL9733B				0.30	2600	20.10	15.03	34.34	