

Automotive Relays **YD686**

L×W×H(mm): 46×46×45(+18)

**Features**

- | Miniature;
- | Contact load capacity up to 120(200)A;
- | Suitable for automobile;
- | Quick connection for coil;
- | Bolt type terminal for contact load.

**Ordering Information**

<u>YD686</u>	<u>-12</u>	<u>-H</u>	<u>-120</u>	<u>-4.8</u>
1	2	3	4	5
1. Part number: YD686;				
2. Coil rated Voltage(VDC): 6: 6V; 12: 12V; 24: 24V; 48: 48V				
3. Contact Form: H:1H;				
4. Max. Switching Current: 120A, 140A, 200A				
5. Coil Rate: 4.8W:Intermittent work; 2.4W: Continuous work				

**Contact Data**

Contact Form	1H (SPSTNO)
Contact Material	Ag Alloy
Contact Rating (resistive)	120A/14VDC, 140A/14VDC, 200A/14VDC
Max. Switching Voltage	40VDC
Max. Switching Current	100A , 200A
Max. Switching Power	1400W, 2800W
Contact Resistance or Voltage drop	≤100mΩ
Electrical Life	1×10 <sup>5</sup>
Mechanical Life	1×10 <sup>7</sup>

**Coil Parameter**

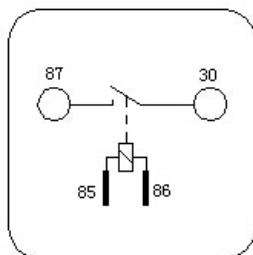
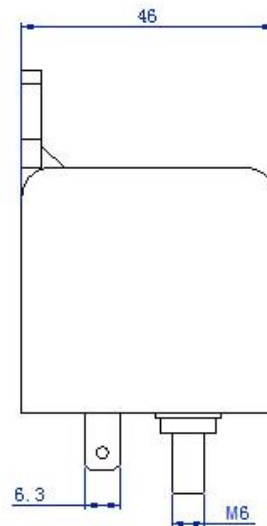
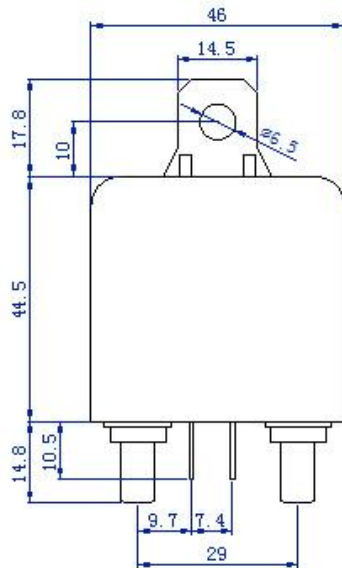
Dash numbers	Coil voltage (VDC)		Coil resistance Ω±10%	Pickup voltage VDC(Max.)	Release voltage VDC(Min.)	Coil power	Operate Time	Release Time
	Rated	Max.						
006-4800	6	7.8	7.5	3.9	0.6	4.8W	≤10 ms	≤5 ms
006-2400	6	7.8	15	3.9	0.6	2.4W		
012-4800	12	15.6	30	7.8	1.2	4.8W		
012-2400	12	15.6	60	7.8	1.2	2.4W		
024-4800	24	31.2	120	15.6	2.4	4.8W		
024-2400	24	31.2	240	15.6	2.4	2.4W		
048-4800	48	62.4	480	31.2	4.8	4.8W		
024-2400	48	62.4	960	31.2	4.8	2.4W		

**Operation condition**

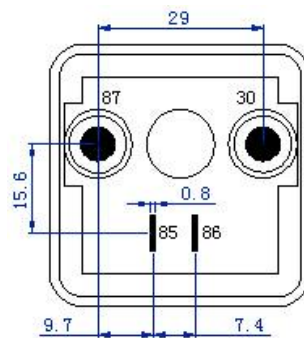
Insulation Resistance		100MΩ Min. (at 500VDC)
Dielectric Strength	Between Contacts	50Hz 500VAC / 1 minute
	Between Coil and Contacts	50Hz 750VAC / 1 minute
Shock resistance		147m/s <sup>2</sup> 11ms
Vibration resistance		10~40Hz double amplitude 1.5mm
Terminals strength		100N
Solderability		235°C±2°C 3±0.5s
Ambient Temperature		-40°C ~ +85°C
Relative Humidity		85% (at 40°C)
Weight(Approx.)		90g

**Layout (Bottom views, Unit: mm)**

## Dimensions / Wiring diagram (Bottom views)



Wiring diagram (Bottom views)



Terminal Layout (Bottom views)