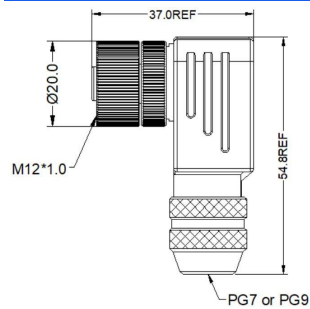


M12 A code female right angle metal assembly connector with shielded/M12, A型母头弯头金属装配式连接器, 带屏蔽

Scale drawing/尺寸图



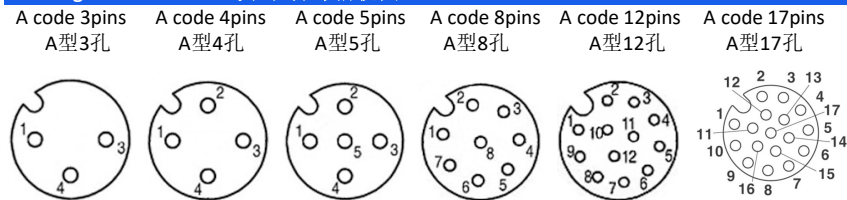
Product photo/产品图



Part number/产品料号

Pins/针数	Code/型	Part number/产品料号	
		PG7 hole/PG7孔	PG9 hole/PG9孔
3pins/3孔	A code/A型	12ZS42-PG7	12ZS42-PG9
4pins/4孔	A code/A型	12ZS44-PG7	12ZS44-PG9
5pins/5孔	A code/A型	12ZS46-PG7	12ZS46-PG9
8pins/8孔	A code/A型	12ZS48-PG7	12ZS48-PG9
12pins/12孔	A code/A型	12ZS76-PG7	12ZS76-PG9
17pins/17孔	A code/A型	12ZS78-PG9	

Pin assignment front view/孔位分布前视图



General data/常规数据

Pin Numbers/孔数	3pins/3孔	4pins/4孔	5pins/5孔	8pins/8孔	12pins/12孔	17pins/17孔
Rated voltage/额定电压	250V		60V	30V		
Rated current(40°C)/额定电流	4A			2A	1.5A	1.5A
Standards/标准	IEC 61076-2-101					
Termination/焊接方式	screw clamp/螺锁					
Degree of protection/防护等级	IP67					
Wire gauge(mm²)/线规(平方数)	0.14mm²-0.75mm²					
Wire gauge(AWG)/线号(平方数)	26AWG-18AWG					
PG7 hole suitable cable outer diameter/PG7孔适合线材外径	4.0mm-6.0mm					
PG9 hole suitable cable outer diameter/PG9孔适合线材外径	6.0mm-8.0mm					
Mechanical operation/插拔次数	>100 mating cycles/大于100次					
Ambient temperature (operation)/操作温度	-25°C~+85°C					
Contact resistance/接触电阻	≤5mΩ					
Insulation resistance/绝缘电阻	≥100MΩ					
Connector body/胶芯	TPU					
Pin/端子	Phosphorus copper with gold plated/磷铜镀金					
Screw/螺丝	Brass with nickel plated/黄铜镀镍					
Gasket/胶圈	Fluorine ring/氟胶圈					
Customs tariff number/海关编码	8538900000					
Environmental compliance/环境符合标准	RoHs, Reach					