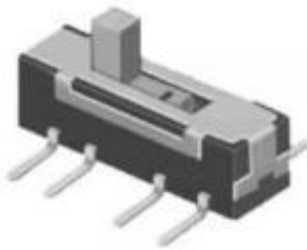
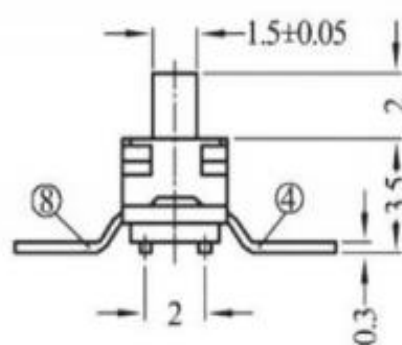
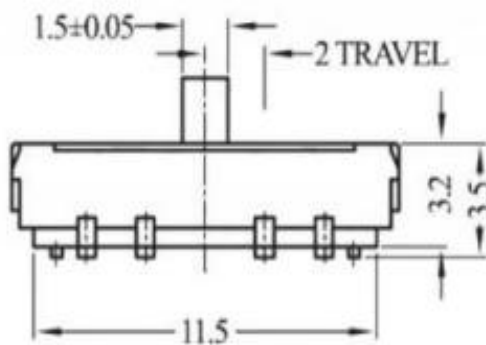
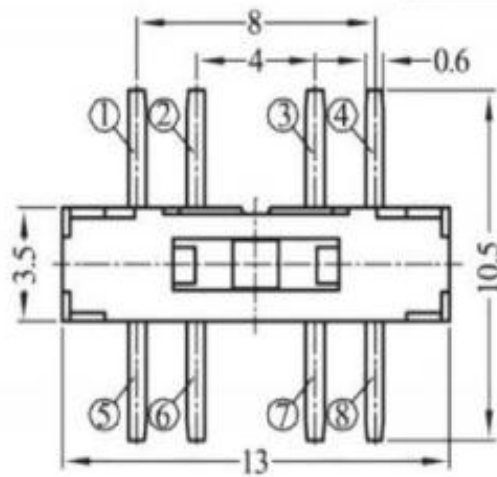
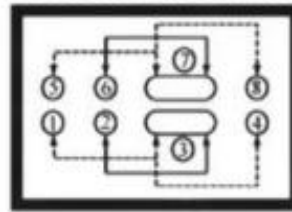


MS-23D20



CIRCUIT DIAGRAM



RATING:DC 6V 0.3A