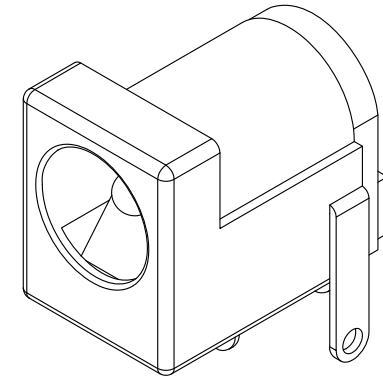
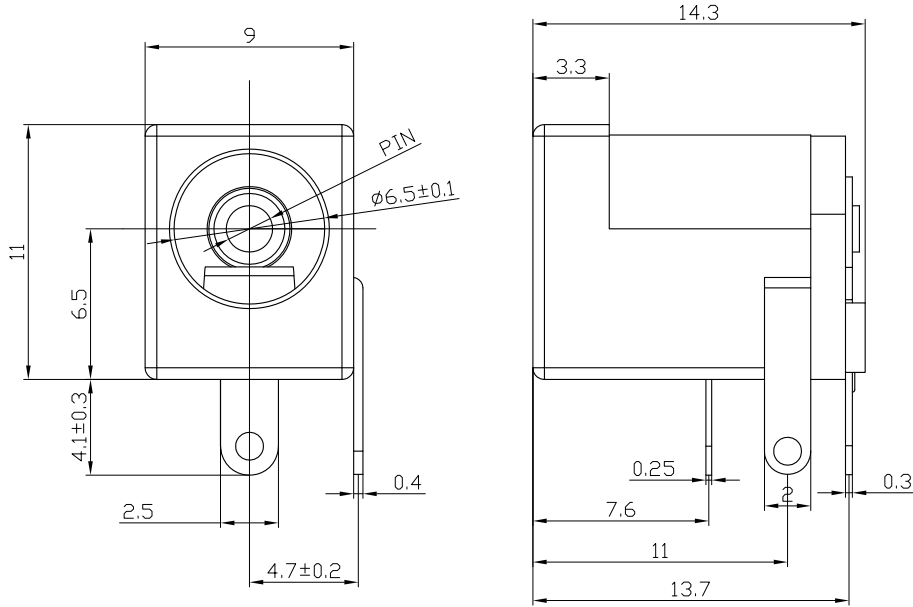
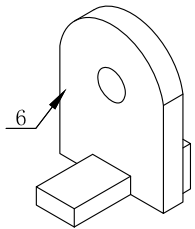
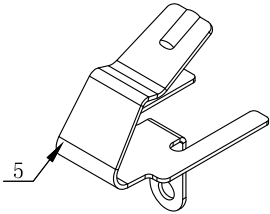
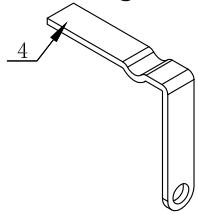
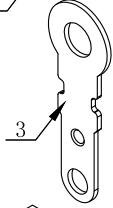
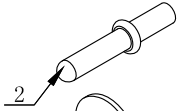
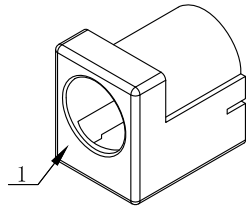
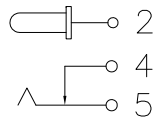
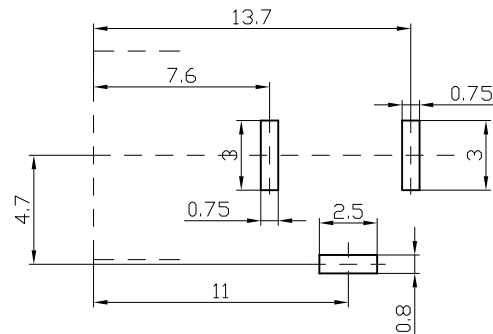
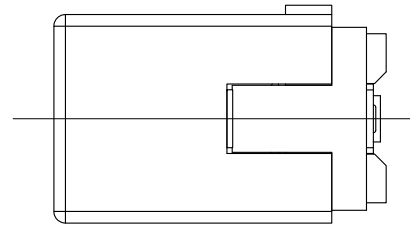


REV NO/版次	REVISION NOTE/修订注释	DATE/日期	SIGNATURE/签名



PIN	∅2.0	∅2.5	∅2.75
*			



SCHEMATIC

P. C. B LAYOUT

6	COVER	PA66/PBT	1	BLACK
5	BREAK TERMINAL	BRONZE	1	Ag
4	TIP SPRING	BRASS	1	Ag
3	PIN TERMINAL	BRASS	1	Ag
2	PIN	BRASS	1	Ni
1	HOUSING	PA66/PBT	1	BLACK
NO.	PART NAME	MATERIAL	QTY.	FINISHING

DONGGUAN CITY JINBEILI ELECTRICAL TECHNOLOGY CO., LTD.

GENERAL TOLERANCE 未指的公差		TITLE 名称		
X. ± 0.5	X. ° ± 3°	DC-005		
.X ± 0.3	.X° ± 2°			
.XX ± 0.2	.XX° ± 1°	PART NO. 零件编号	DWG NO. 图纸编号	
.XXX ± 0.1	.XXX° ± 0.5°	DC-005-2.0	H-DC-005	
APPROVAL 审批	CHECKED 核准	DRAWN 设计	UNIT 单位 (mm)	SCALE 比例
				1:1
				PROJ.
				REV.