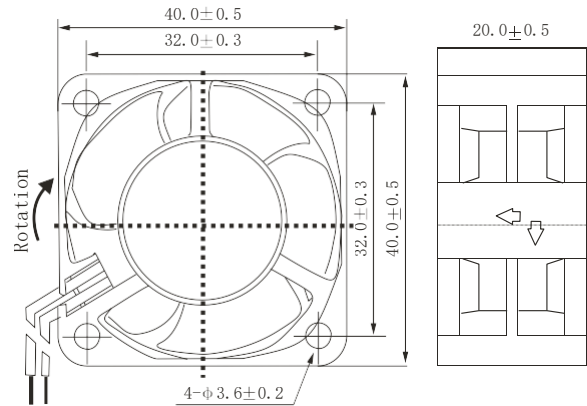


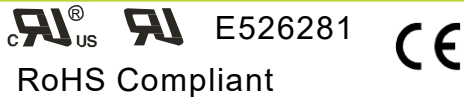
# DC 4020



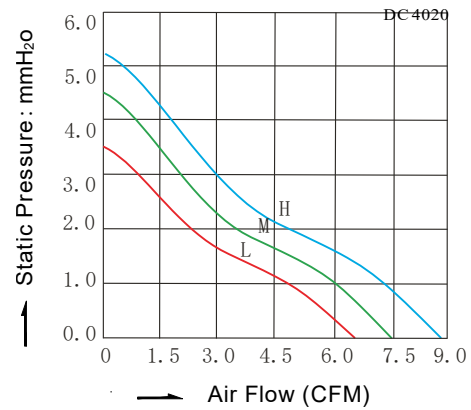
Dimensions (mm)

## Features

- Size: 40X40X20mm
- Frame/Impeller: Reinforced Plastic UL94V-0
- Bearings: Ball Bearing&Sleeve Bearing
- Life Expectancy: 50,000hours at 20°C-Ball  
30,000hours at 20°C-Sleeve
- Approvals: UL CE RoHS
- Weight: 25g



RoHS Compliant



Air Flow vs Air Pressure

## Performance

Model	Bearing System			Rated Voltage V	Current A	Input Power W	Nominal Speed R.P.M	Air Flow CFM	Air Pressure Mm-H <sub>2</sub> O	Noise dBA
	S	B	D							
DF42x05L	✓	✓	✓	5	0.12	0.60	5500	6.42	3.52	25
DF42x05M	✓	✓	✓	5	0.15	0.75	6500	7.45	4.50	27
DF42x05H	✓	✓	✓	5	0.20	1.00	7500	8.85	5.25	29
DF42x12L	✓	✓	✓	12	0.06	0.72	5500	6.42	3.52	25
DF42x12M	✓	✓	✓	12	0.08	0.96	6500	7.45	4.50	27
DF42x12H	✓	✓	✓	12	0.10	1.20	7500	8.85	5.25	29
DF42x24L	✓	✓	✓	24	0.05	0.12	5500	6.42	3.52	25
DF42x24M	✓	✓	✓	24	0.06	1.44	6500	7.45	4.50	27
DF42x24H	✓	✓	✓	24	0.07	1.68	7500	8.85	5.25	29