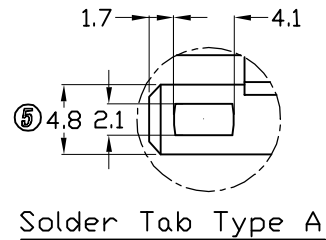
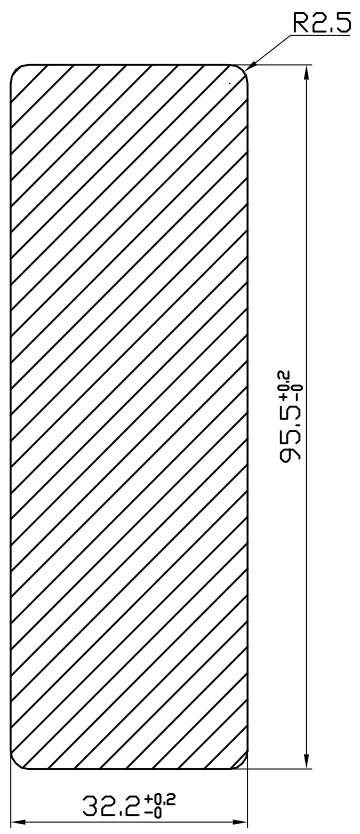
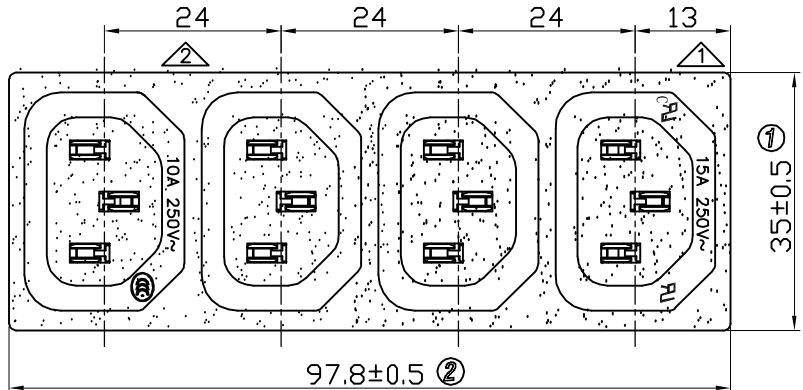
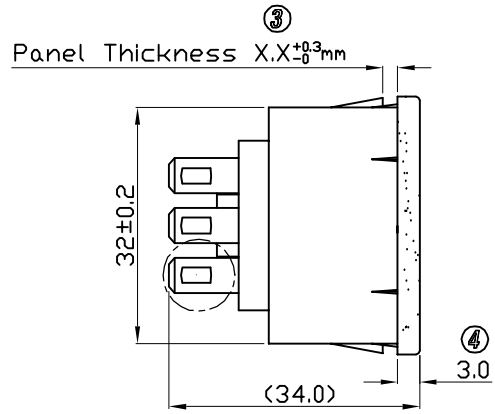


4

3

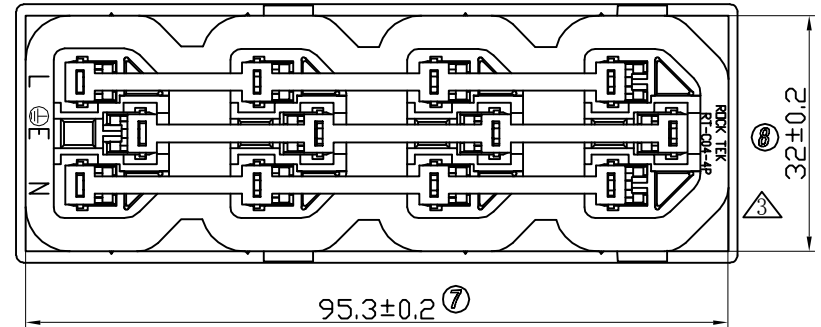
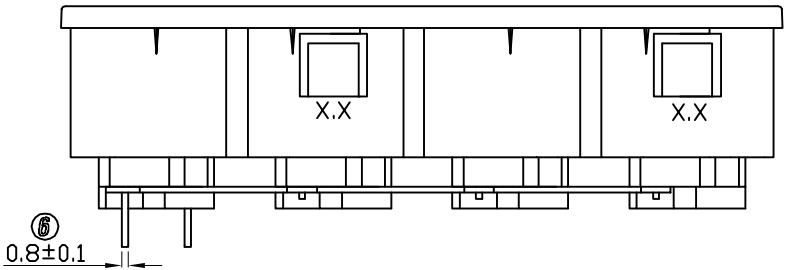
2

1



RT-C04B-4P\*-X.X

卡耳厚度(mm)					
1.0	1.8	1.3	2.0	1.5	2.5



PANEL CUT-OUT  
RATING: 15A 250VAC  
10A 250VAC

Part No.	Color	Part No.	Color	
RT-C04B-4PG	GRAY	RT-C04B-4PU	BLUE	RAL 5017
RT-C04B-4P	BLACK	RT-C04B-4PR	RED	RAL 3001
RT-C04B-4PW	WHITE	RT-C04B-4PY	YELLOW	RAL 1023
RT-C04B-4PO	Orange	RT-C04B-4PY1	Opaque yellow	

NO	DESCRIPTION	APPROVED	DATE	DIMENSIONAL TOLERANCES		APPROVED	CHECKED	DESIGN	DRAWN	ALL SIZE ARE IN		MM	
				RANGE	TOLERANCE					SCALE	FIT	MATERIAL NO.	DRAWING NO.
5	→												
4	→												
3	刻字RT-C04改为RT-C04-4P	刘玉	2017.2.27	X	±0.30								
2	取消VDE安规刻字			X.X	±0.20								
1	安规刻字位置更改	吳秋榮	2007.07.18	X.XX	±0.10								
				ANGLES	±0.5°	ROCK TEK ELECTRICAL(SHENZHEN) CO.,LTD.				RT-C04B-4P*-X.X	WIF114016	A2	

4

3

2

1

A

A